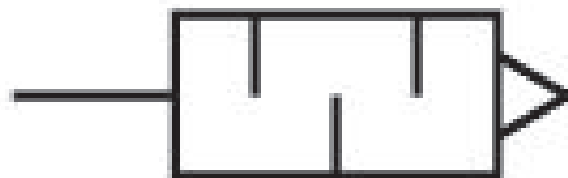


Exhaust cap, Series S11

8994701200

General series information
AVENTICS Series S11 Silencers

- AVENTICS Series S11 Silencers offers a broad range of silencers even in Metal or plastic to reduce the noise when Pneumatic products come to exhaust.



Technical data

Industry	Industrial
Medium	Compressed air
Working pressure min.	0 bar
Working pressure max	10 bar
Min. ambient temperature	-5 °C
Max. ambient temperature	50 °C
Compressed air connection	R 3/8
Compressed air connection type	External thread
Delivery unit	5 piece
Weight	0.067 kg

Material

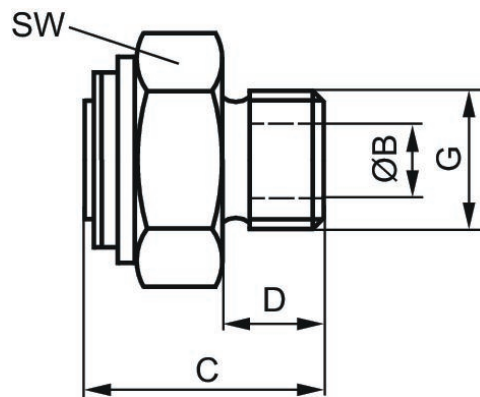
Material thread
Part No.

Steel, chrome-plated
8994701200

Technical information

An example configuration is illustrated. The delivered product may thus deviate from the illustration.

Dimensions



Part No.	Port G	B	C	D	E	SW	Fig.
8994701200	R 3/8	9	30	12	-	27	2