

Bellow actuator with cover, series BCP, double, air connection between 3 mounting holes, Heat resistant

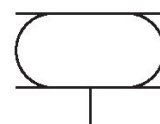
R412010214

Series BCE

Heat-resistant version

BCE

2024-09-13



Technical data

Industry	Industrial
Bellows	double
Type	Bellow actuator with cover
Functional principle	Single-acting, retracted without pressure
Compressed air connection	G 3/4
Cover diameter	141 mm
Max. effective stroke	153 mm
Min. radial installation space	235 mm
Min. installation height	83 mm
Max. installation height	230 mm
Min. force	7700 N
Max. force	14800 N
Min. working pressure	0 bar
Max. working pressure	8 bar
Min. ambient temperature	-20 °C
Max. ambient temperature	130 °C
Medium	Compressed air
Reduced service life at a temperature greater than	115 °C
Pressure for determining forces	6 bar

Bellow actuator with cover, series BCP, double, air connection between 3 mounting holes, Heat resistant

BCE
2024-09-13

Weight
R412010214

2.3 kg

Material

Material bellow	Epichlorohydrin rubber
Material front cover	Steel, chrome-plated
Surface cover	galvanized
Part No.	R412010214

Technical information

Compliance with the minimum height H min. as well as the maximum height H max. must be ensured with end stops.

Use at operating height $\geq H_{max}$: only permitted upon approval by AVENTICS

Further information on vibration isolation can be found in the "Technical information" document (available in the MediaCentre).

The pressure dew point must be at least 15 °C less than ambient and medium temperature and may not exceed 3 °C.

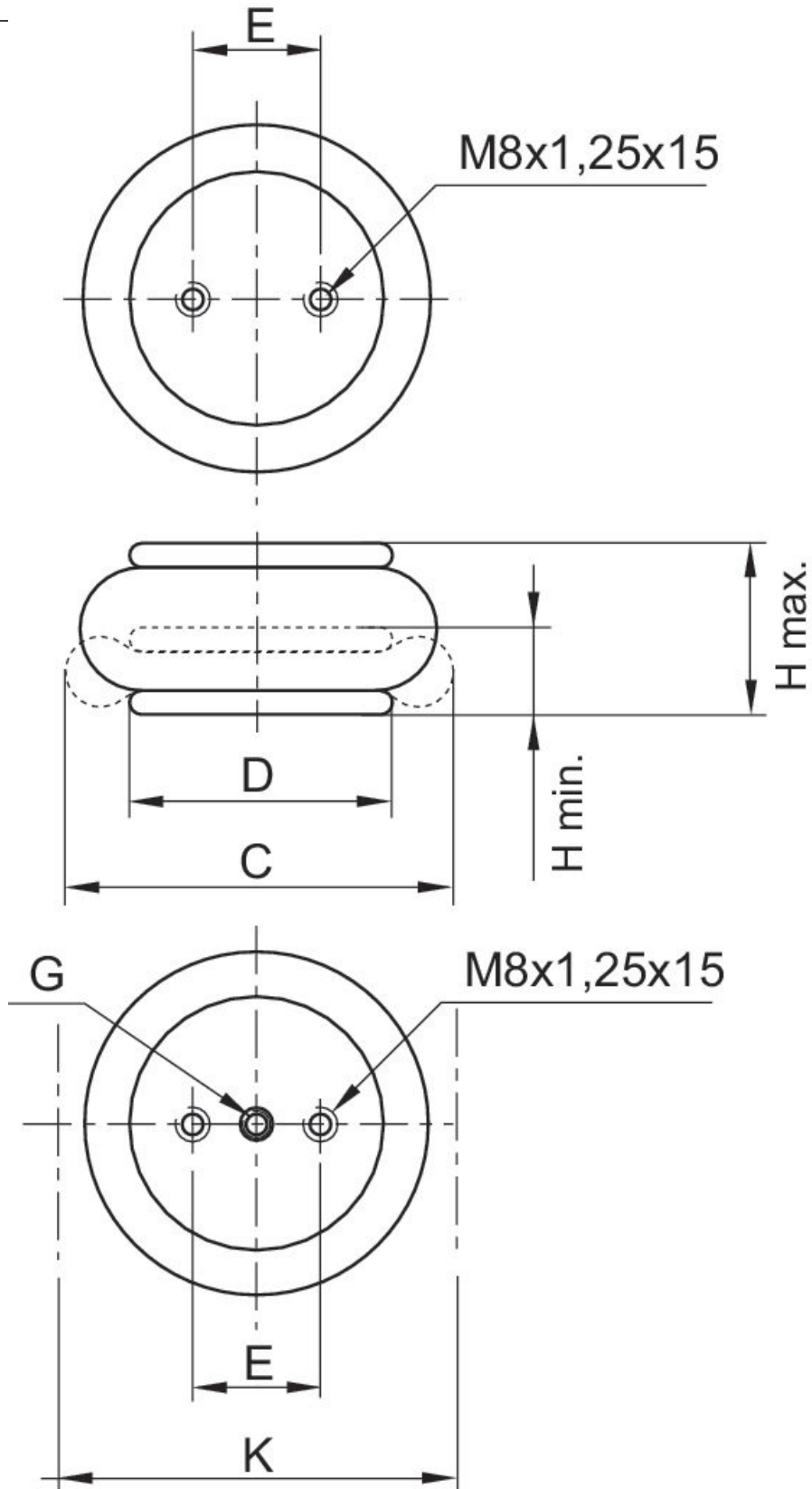
The oil content of compressed air must remain constant during the life cycle.

Use only the approved oils from AVENTICS. Further information can be found in the "Technical information" document (available in <https://www.emerson.com/en-us/support>).

Bellow actuator with cover, series BCP, double, air connection between 3 mounting holes, Heat resistant

Dimensions
R412010214

BCE
2024-09-13



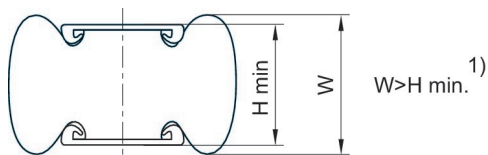
Bellow actuator with cover, series BCP, double, air connection between 3 mounting holes, Heat resistant

BCE
2024-09-13

R412010214

Part No.	Compressed air connection G	H min. mm	H max. mm	C mm	D mm	E ±0,5 [mm]	K mm	Min. return force N
R412010213	G 1/4	78	180	165	108	44.5	180	200
R412010214	G 3/4	83	230	218	141	70	235	200
R412010476	G 3/4	75	305	325	228	157,5	340	300

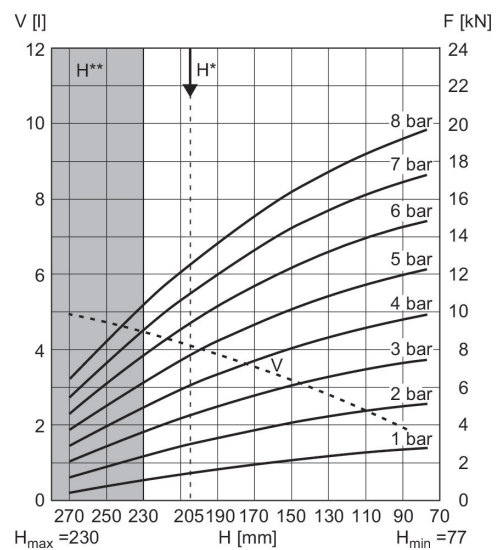
Comment



1) Once the minimum height H min. is reached, the bead height W can fall below the lower limit. If, for these products, level mounting surfaces greater than the cover diameter are selected, the return force and force output at the start of stroke increase. In the process, the rubber bellow is also compressed by the mounting surfaces. These products require more space upward, which can, in rare cases, present a hindrance. In any case, the specifications of the data sheets apply when using mounting surfaces in the size of the bellows actuator cover.

1 kN = 1000 N

Force-displacement diagram R412010214



V = volume H = height H* = recommended operating height for vibration isolation H** = use permitted only upon approval by AVENTICS
1 kN = 1000 N