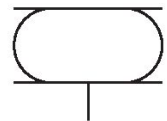


Bellow actuator with cover, series BCP, single, air connection in the mounting hole, acid-proof R412010215

BCS
2024-09-13

Bellow actuator with cover, series BCS

Corrosion-resistant version



Technical data

Industry	Industrial
Bellows	single
Compressed air connection	G 1/4
Cover diameter	108 mm
Max. permissible angle of tilt	20 °
Max. effective stroke	34 mm
Min. radial installation space	165 mm
Min. installation height	51 mm
Max. installation height	85 mm
Min. force	3500 N
Max. force	6900 N
Min. working pressure	0 bar
Max. working pressure	8 bar
Min. ambient temperature	-40 °C
Max. ambient temperature	70 °C
Medium	Compressed air
Reduced service life at a temperature greater than	50 °C
Weight	1.2 kg

Bellow actuator with cover, series BCP, single, air connection in the mounting hole, acid-proof

R412010215

BCS
2024-09-13

Material

Material bellow	caoutchouc/butadiene caoutchouc
Material front cover	Stainless Steel
Part No.	R412010215

Technical information

Compliance with the minimum height H min. as well as the maximum height H max. must be ensured with end stops.

Use at operating height $\geq H_{max}$: only permitted upon approval by AVENTICS

Further information on vibration isolation can be found in the "Technical information" document (available in the MediaCentre).

The pressure dew point must be at least 15 °C less than ambient and medium temperature and may not exceed 3 °C.

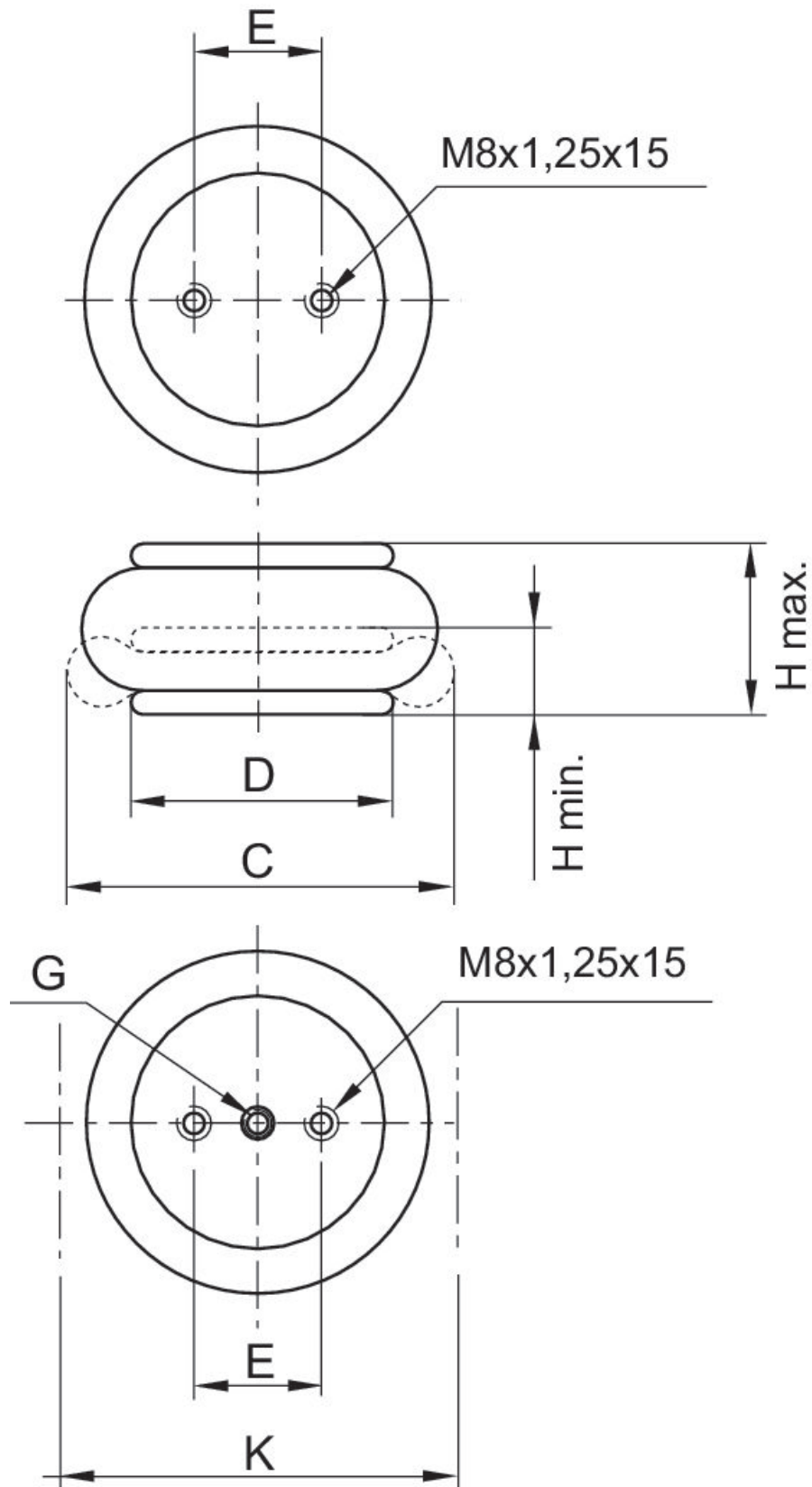
The oil content of compressed air must remain constant during the life cycle.

Use only the approved oils from AVENTICS. Further information can be found in the "Technical information" document (available in <https://www.emerson.com/en-us/support>).

Bellow actuator with cover, series BCP, single, air connection in the mounting hole, acid-proof

BCS
2024-09-13

R412010215
Dimensions

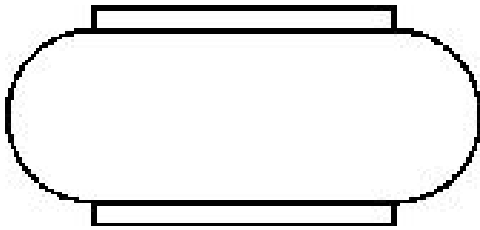


Bellow actuator with cover, series BCP, single, air connection in the mounting hole, acid-proof

R412010215

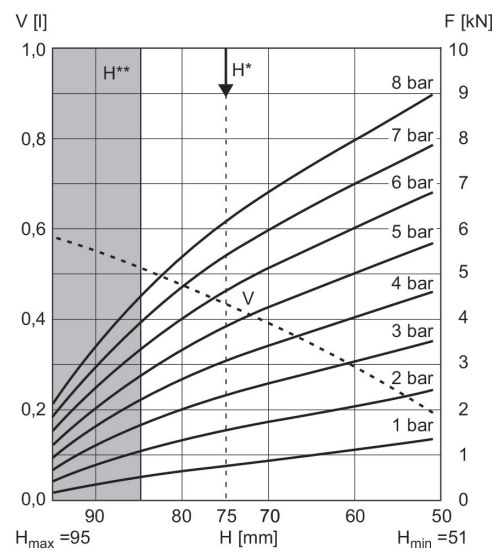
BCS
2024-09-13

Part No.	Compressed air connection G	H min. mm	H max. mm	C mm	D mm	E ±0,5 [mm]	K mm	Min. return force N
R412010215	G 1/4	51	85	150	108	44.5	165	250
R412010216	G 1/4	51	-	210	114	44.5	225	45
R412010217	G 1/4	51	-	235	141	70	250	200



Max. permissible parallel movement between the covers: [[10] mm]

Force-displacement diagram R412010215



V = volume H = height H* = recommended operating height for vibration isolation H** = use permitted only upon approval by AVENTICS