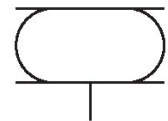


Bellow actuator with cover, series BCS

Corrosion-resistant version



Technical data

Industry	Industrial
Bellows	single
Compressed air connection	G 3/4
Cover diameter	287 mm
Max. permissible angle of tilt	20 °
Max. effective stroke	104 mm
Min. radial installation space	400 mm
Min. installation height	51 mm
Max. installation height	155 mm
Min. force	26100 N
Max. force	50000 N
Min. working pressure	0 bar
Max. working pressure	8 bar
Min. ambient temperature	-40 °C
Max. ambient temperature	70 °C
Medium	Compressed air
Reduced service life at a temperature greater than	50 °C
Weight	5.9 kg

Material

Material bellow	caoutchouc/butadiene caoutchouc
Material front cover	Stainless Steel
Part No.	R412010220

Technical information

Compliance with the minimum height H min. as well as the maximum height H max. must be ensured with end stops.

Use at operating height $\geq H_{max}$: only permitted upon approval by AVENTICS

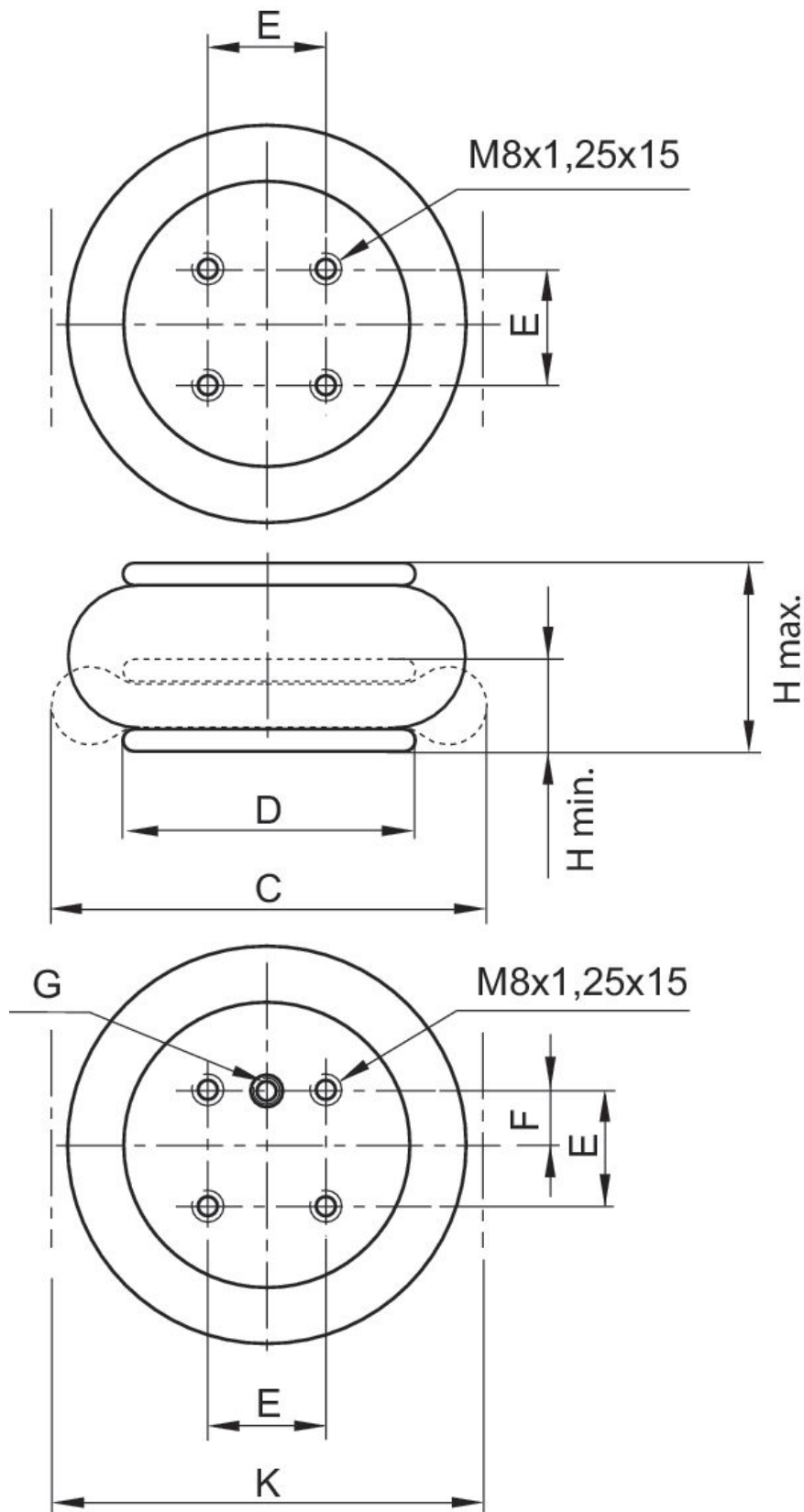
Further information on vibration isolation can be found in the "Technical information" document (available in the MediaCentre).

The pressure dew point must be at least 15 °C less than ambient and medium temperature and may not exceed 3 °C.

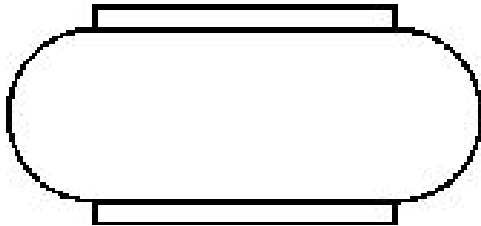
The oil content of compressed air must remain constant during the life cycle.

Use only the approved oils from AVENTICS. Further information can be found in the "Technical information" document (available in <https://www.emerson.com/en-us/support>).

Dimensions

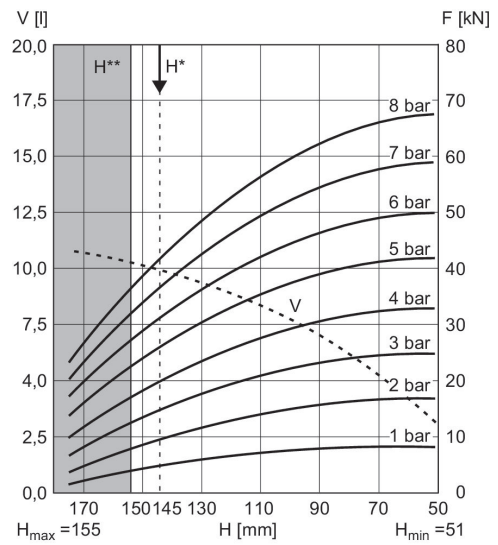


Part No.	Compressed air connection G	H min. mm	H max. mm	C mm	D mm	E ±0,5 [mm]	F ±0,5 [mm]	K mm	Min. return force N
R412010220	G 3/4	51	155	385	287	158.8	79.4	400	300



Max. permissible parallel movement between the covers: [[10] mm]

Force-displacement diagram R412010220



V = volume H = height H* = recommended operating height for vibration isolation H** = use permitted only upon approval by AVENTICS