

Bellow actuator with cover, series BCP, double, 2 mounting holes, säurebeständig

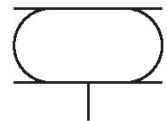
R412010222

BCS

2024-09-13

Bellow actuator with cover, series BCS

Corrosion-resistant version



Technical data

Industry	Industrial
Bellows	double
Compressed air connection	G 3/4
Cover diameter	141 mm
Max. permissible angle of tilt	25 °
Max. effective stroke	153 mm
Min. radial installation space	235 mm
Min. installation height	77 mm
Min. force	7700 N
Max. force	14800 N
Min. working pressure	0 bar
Max. working pressure	8 bar
Min. ambient temperature	-40 °C
Max. ambient temperature	70 °C
Medium	Compressed air
Reduced service life at a temperature greater than	50 °C
Weight	2.3 kg

Bellow actuator with cover, series BCP, double, 2 mounting holes, säurebeständig

R412010222

BCS
2024-09-13

Material

Material bellow	caoutchouc/butadiene caoutchouc
Material front cover	Stainless Steel
Part No.	R412010222

Technical information

Compliance with the minimum height H min. as well as the maximum height H max. must be ensured with end stops.

Use at operating height $\geq H_{max}$: only permitted upon approval by AVENTICS

Further information on vibration isolation can be found in the "Technical information" document (available in the MediaCentre).

The pressure dew point must be at least 15 °C less than ambient and medium temperature and may not exceed 3 °C.

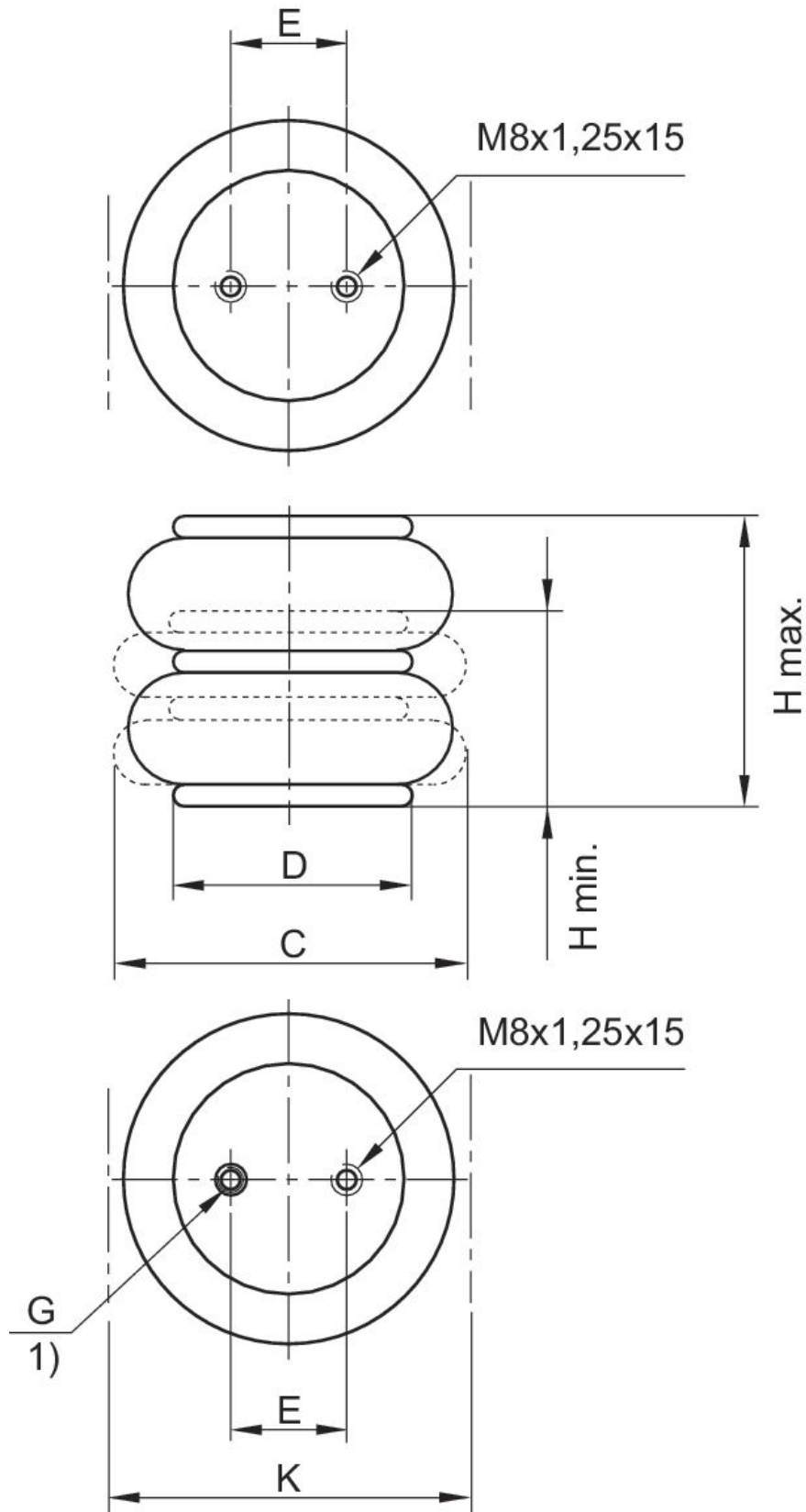
The oil content of compressed air must remain constant during the life cycle.

Use only the approved oils from AVENTICS. Further information can be found in the "Technical information" document (available in <https://www.emerson.com/en-us/support>).

Bellow actuator with cover, series BCP, double, 2 mounting holes, säurebeständig

BCS
2024-09-13

R412010222
Dimensions



1) air connection in the mounting hole

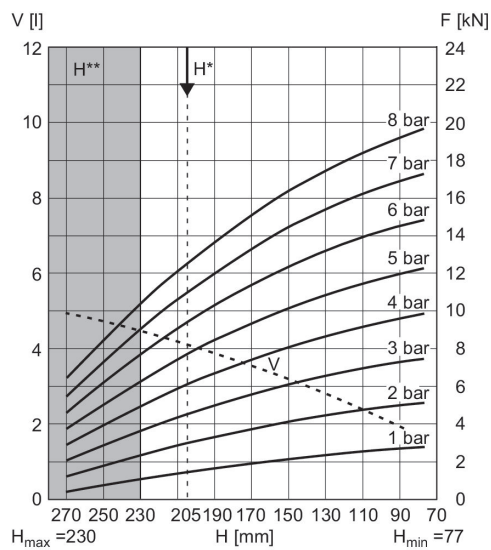
Bellow actuator with cover, series BCP, double, 2 mounting holes, säurebeständig

R412010222

BCS
2024-09-13

Part No.	Compressed air connection G	H min. mm	H max. mm	C mm	D mm	E ±0,5 [mm]	K mm	Min. return force N
R412010221	G 1/4	72	108	165	108	44.5	180	200
R412010222	G 3/4	77	153	218	141	70	235	200

Force-displacement diagram R412010222



V = volume H = height H* = recommended operating height for vibration isolation H** = use permitted only upon approval by AVENTICS