

Bellow actuator with cover, series BCP, double, air connection between 3 mounting holes, acid-proof

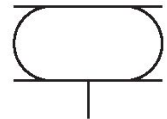
R412010224

~~Bellow actuator with cover, series BCS~~

Corrosion-resistant version

BCS

2024-09-13



Technical data

Industry	Industrial
Bellows	double
Compressed air connection	G 3/4
Cover diameter	228 mm
Max. permissible angle of tilt	25 °
Max. effective stroke	223 mm
Min. radial installation space	355 mm
Min. installation height	77 mm
Min. force	20500 N
Max. force	36800 N
Min. working pressure	0 bar
Max. working pressure	8 bar
Min. ambient temperature	-40 °C
Max. ambient temperature	70 °C
Medium	Compressed air
Reduced service life at a temperature greater than	50 °C
Weight	5.1 kg

Bellow actuator with cover, series BCP, double, air connection between 3 mounting holes, acid-proof

BCS
2024-09-13

R412010224
Material

Material bellow	caoutchouc/butadiene caoutchouc
Material front cover	Stainless Steel
Part No.	R412010224

Technical information

Compliance with the minimum height H min. as well as the maximum height H max. must be ensured with end stops.

Use at operating height $\geq H_{max}$: only permitted upon approval by AVENTICS

Further information on vibration isolation can be found in the "Technical information" document (available in the MediaCentre).

The pressure dew point must be at least 15 °C less than ambient and medium temperature and may not exceed 3 °C.

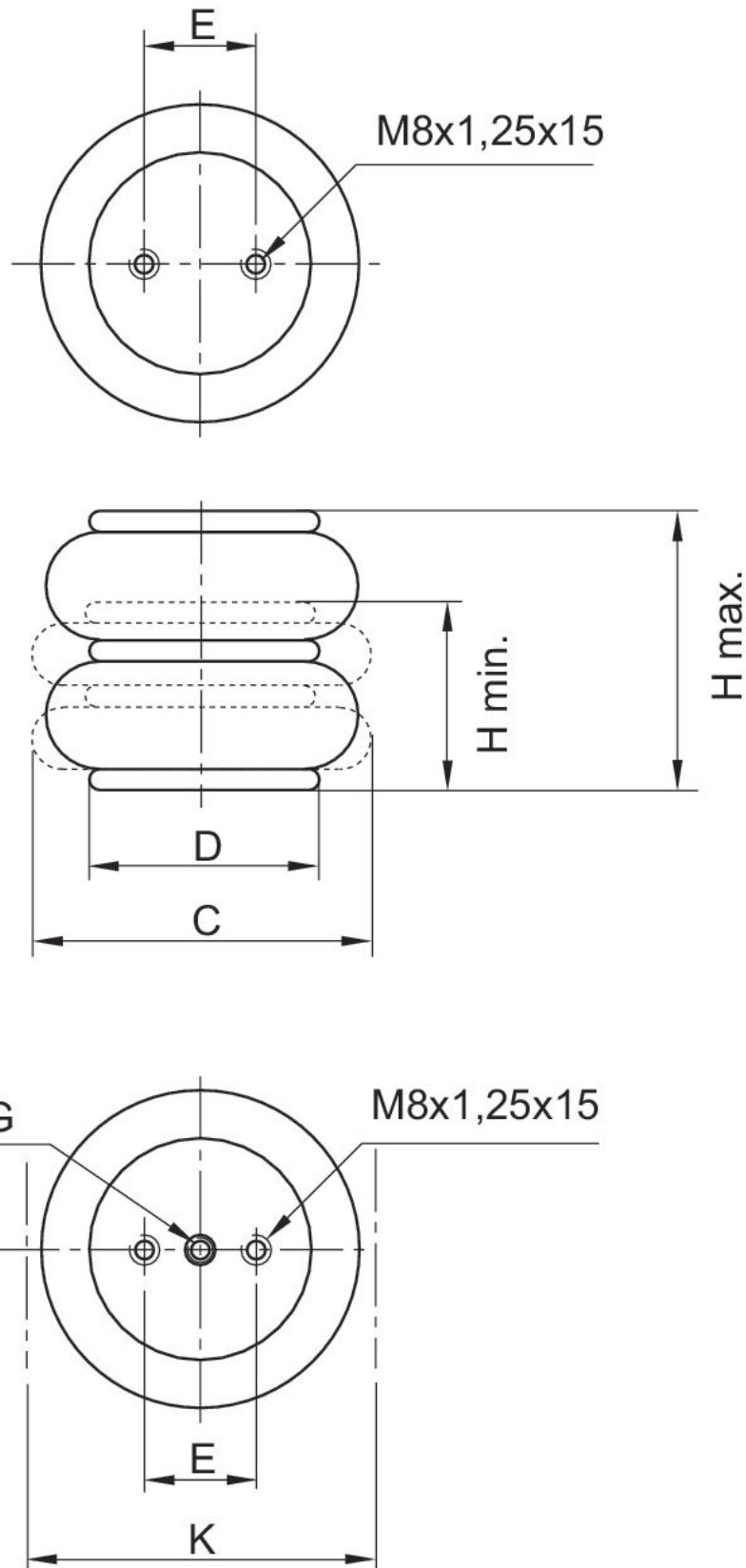
The oil content of compressed air must remain constant during the life cycle.

Use only the approved oils from AVENTICS. Further information can be found in the "Technical information" document (available in <https://www.emerson.com/en-us/support>).

Bellow actuator with cover, series BCP, double, air connection between 3 mounting holes, acid-

BCS
2024-09-13

proof
Dimensions
R412010224



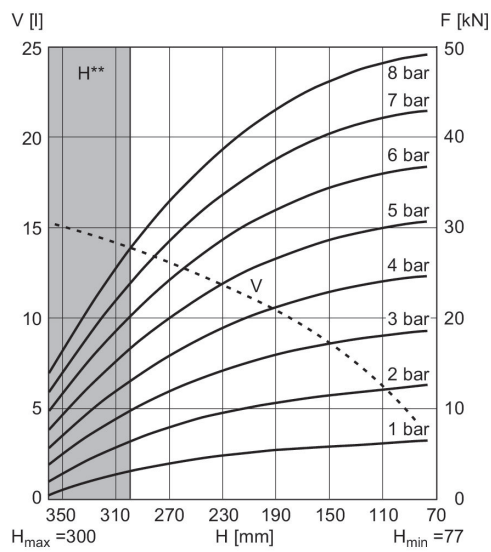
Bellow actuator with cover, series BCP, double, air connection between 3 mounting holes, acid-proof

BCS
2024-09-13

R412010224

Part No.	Compressed air connection G	H min. mm	H max. mm	C mm	D mm	E ±0,5 [mm]	F ±0,5 [mm]	K mm	Min. return force N
R412010223	G 3/4	77	223	260	161	89	38.1	275	250
R412010224	G 3/4	77	223	340	228	157.5	73	355	300

Force-displacement diagram R412010224



V = volume H = height H**= use permitted only upon approval by AVENTICS