

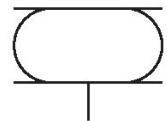
Bellow actuator with cover, series BCP, double, 4 mounting holes

R432039298

BCP
2024-09-12

Series BCP

Bellows actuators with flanged connectors
Force max. 12000 Lbf
Stroke max. 11,22 inch



Technical data

| | |
|--|---|
| Industry | Industrial |
| Bellows | double |
| Type | Bellow actuator with cover |
| Functional principle | Single-acting, retracted without pressure |
| Compressed air connection | 3/4 NPT |
| Cover diameter | 287 mm |
| Max. permissible angle of tilt | 20 ° |
| Max. effective stroke | 193.04 mm |
| Min. radial installation space | 400 mm |
| Min. installation height | 77 mm |
| Max. installation height | 270 mm |
| Min. force | 27400 N |
| Max. force | 49600 N |
| Min. working pressure | 0 bar |
| Max. working pressure | 8 bar |
| Min. ambient temperature | -40 °C |
| Max. ambient temperature | 70 °C |
| Medium | Compressed air |
| Reduced service life at a temperature greater than | 50 °C |

Bellow actuator with cover, series BCP, double, 4 mounting holes

BCP
2024-09-12

R432039298

Pressure for determining forces 6 bar

Weight 6.9 kg

Material

| | |
|----------------------|----------------------|
| Material bellow | Natural rubber |
| Material front cover | Steel, chrome-plated |
| Surface cover | galvanized |
| Part No. | R432039298 |

Technical information

Compliance with the minimum height H min. as well as the maximum height H max. must be ensured with end stops.

Use at operating height $\geq H_{max}$: only permitted upon approval by AVENTICS

Further information on vibration isolation can be found in the "Technical information" document (available in the MediaCentre).

Reduced service life at a temperature greater than

The pressure dew point must be at least 15 °C less than ambient and medium temperature and may not exceed 3 °C.

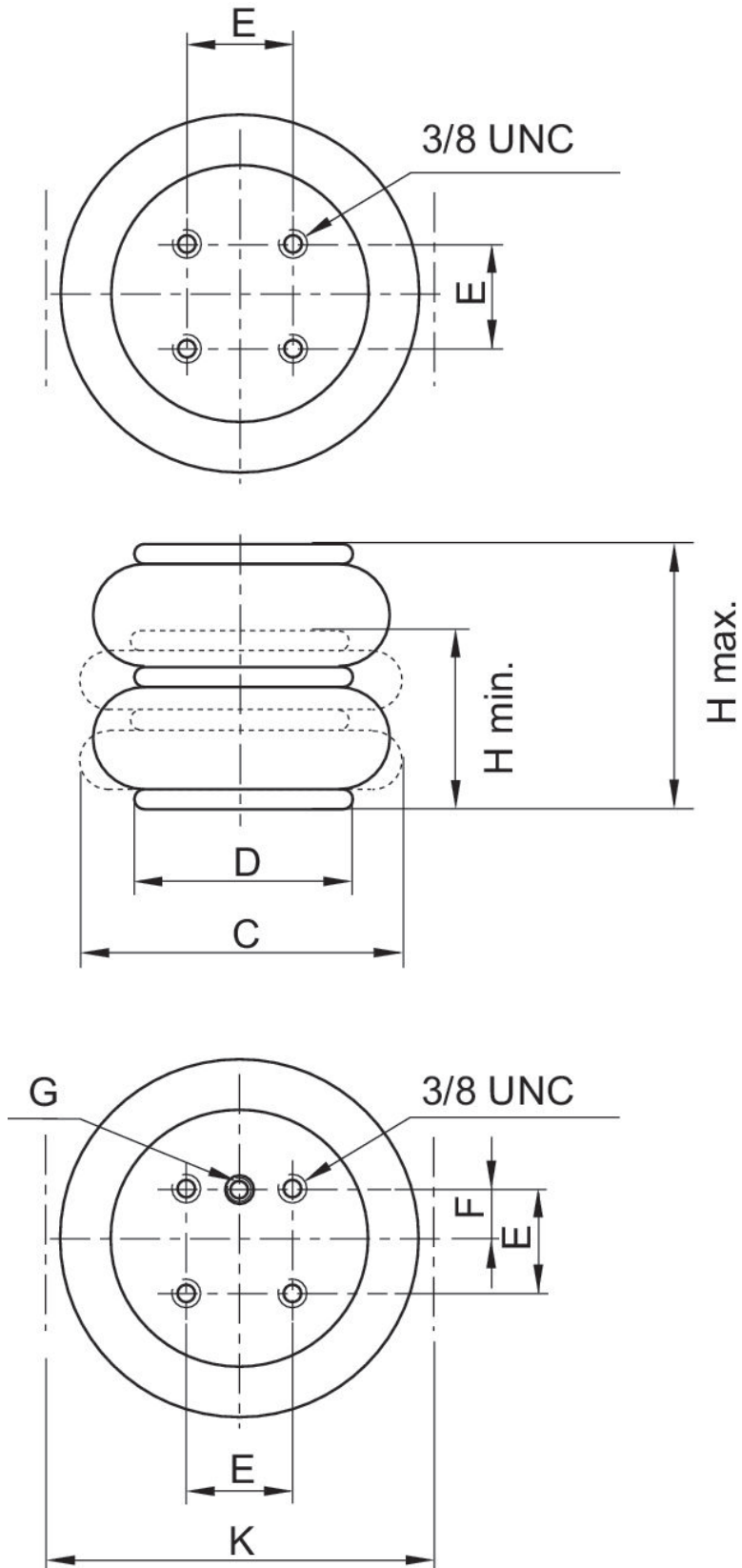
The oil content of compressed air must remain constant during the life cycle.

Use only the approved oils from AVENTICS. Further information can be found in the "Technical information" document (available in <https://www.emerson.com/en-us/support>).

Bellow actuator with cover, series BCP, double, 4 mounting holes

BCP
2024-09-12

R432039298
Dimensions



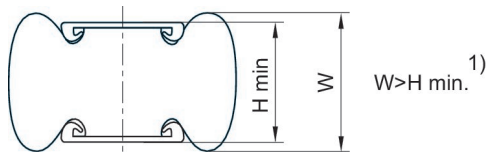
Bellow actuator with cover, series BCP, double, 4 mounting holes

BCP
2024-09-12

R432039298

| Part No. | Compressed air connection | H min. in | H max. in | C in | D in | E ±0,5 in | F ±0,5 in | K in | Min. return force lbf |
|------------|---------------------------|-----------|-----------|-------|-------|-----------|-----------|-------|-----------------------|
| R432039298 | 3/4 NPT | 3.0 | 10.60 | 15.16 | 11.30 | 6.25 | 3.13 | 15.75 | 90 |
| R432039299 | 3/4 NPT | 3.0 | 11.80 | 15.75 | 11.30 | 6.25 | 3.13 | 15.75 | 90 |
| R432039770 | 3/4 NPT | 3.0 | 13.00 | 15.94 | 11.30 | 6.25 | 3.13 | 16.54 | 90 |

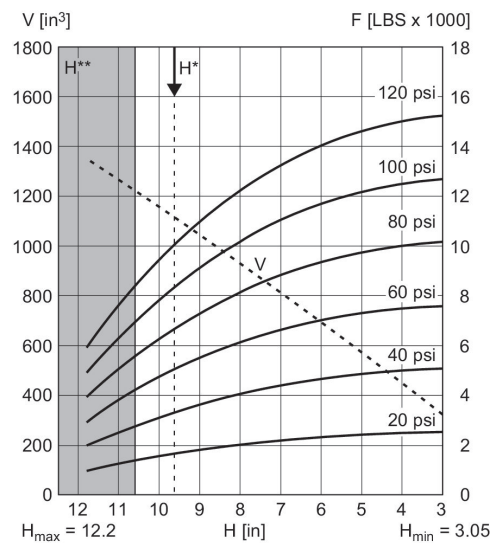
Comment



1) Once the minimum height H min. is reached, the bead height W can fall below the lower limit. If, for these products, level mounting surfaces greater than the cover diameter are selected, the return force and force output at the start of stroke increase. In the process, the rubber bellow is also compressed by the mounting surfaces. These products require more space upward, which can, in rare cases, present a hindrance. In any case, the specifications of the data sheets apply when using mounting surfaces in the size of the bellows actuator cover.

1 kN = 1000 N

Force-displacement diagram R432039298



V = volume H = height H* = recommended operating height for vibration isolation H** = use permitted only upon approval by AVENTICS