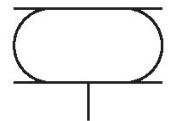


## AVENTICS Series BRB Bellow actuators

The AVENTICS Series BRB cylinders are the cost-optimized variant for lower loads. They are hose rolling lobe air actuators with plastic connecting parts and bellows made of chloroprene elastomer. The Series BRB is distinguished by its lightweight and virtually constant force output over the stroke range.



## Technical data

Industry	Industrial
Type	Flexible rolling bellow
Functional principle	Single-acting, retracted without pressure
Compressed air connection	1/8 NPT
Cover diameter	34 mm
Max. permissible angle of tilt	15 °
Max. effective stroke	1.3 mm
Min. radial installation space	78 mm
Min. installation height	30.48 mm
Max. installation height	63.5 mm
Min. force	620 N
Max. force	1070 N
Min. working pressure	0 bar
Max. working pressure	8 bar
Min. ambient temperature	-30 °C
Max. ambient temperature	90 °C
Medium	Compressed air
Reduced service life at a temperature greater than	70 °C
Pressure for determining forces	6 bar

# Rolling bellow, series BRB - inch

R432039318

BRB

2024-03-20

Weight 0.07 kg

## Material

Material bellow	Chloroprene rubber
Material front cover	Polyamide fiber-glass reinforced
Material clamping ring	Aluminum
Part No.	R432039318

## Technical information

Compliance with the minimum height  $H_{min}$ . as well as the maximum height  $H_{max}$ . must be ensured with end stops.

Use at operating height  $\geq H_{max}$ : only permitted upon approval by AVENTICS

Further information on vibration isolation can be found in the "Technical information" document (available in the MediaCentre).

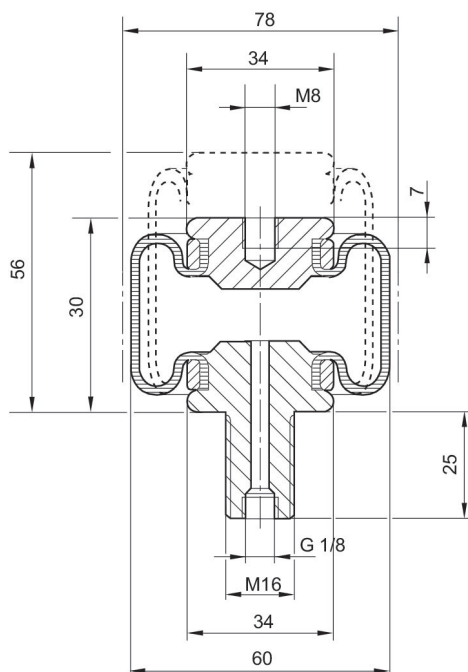
Rolling bellows cylinders may only be moved or pushed together under pressure, otherwise this can damage the bellows.

The pressure dew point must be at least 15 °C less than ambient and medium temperature and may not exceed 3 °C.

The oil content of compressed air must remain constant during the life cycle.

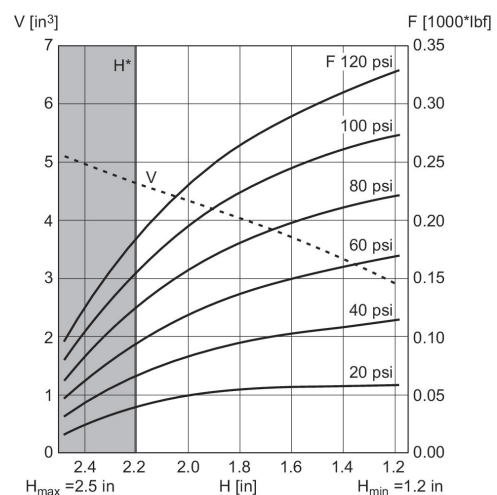
Use only the approved oils from AVENTICS. Further information can be found in the "Technical information" document (available in <https://www.emerson.com/en-us/support>).

## Dimensions



## Force-displacement diagram

R432039318



V = volume H = height  $H^*$  = recommended operating height for vibration isolation  $H^{**}$  = use permitted only upon approval by AVENTICS