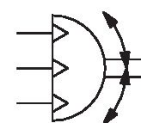


Rotary Compact Module, Series RCM-SE

2024-04-05

R412000395

The AVENTICS Series RCM with its rotary modules can perform all standardized rotary and swivel movements. These modules can be installed directly on mini slides and are equipped with mechanical grippers.



Technical data

Industry	Industrial
Diameter	12 mm
Compressed air connection	M5
Magnetic piston	with magnetic piston
Rotary compact module version	Double piston with rack
Easy2Combine	capable
with integrated intermediate position	with integrated intermediate position
Frame size	RCM-12
Theoretical torque at	6 bar
Min. swivel times	0.28 s
Air consumption per rotation	13.29 cm ³
Max. permissible axial bearing load	330 N
Radial shaft load	360 N
Max. permissible mass moment of inertia	0.7 kg cm ²
Theoretical torque	0.95 Nm
Repetitive precision	0.2 °
Cushioning	elastic
Min. angle of rotation	0 °
Max. angle of rotation	180 °
Min. working pressure	4 bar
Max. working pressure	8 bar
Min. ambient temperature	5 °C
Max. ambient temperature	60 °C
Min. medium temperature	5 °C
Max. medium temperature	60 °C
Medium	Compressed air

R412000395

Min. oil content of compressed air	0 mg/m ³
Max. oil content of compressed air	1 mg/m ³
Max. particle size	5 µm
Weight	0.48 kg

Material

Housing material	Aluminum
Surface housing	anodized
Material front cover	Aluminum
Surface cover	black anodized
Material base	Aluminum
Surface base	black anodized
Seal material	Acrylonitrile butadiene rubber
Material axis	Steel, chrome-plated
Surface axis	hardened
Material rotary flange	Steel, chrome-plated
Surface rotary flange	hardened
Part No.	R412000395

Technical information

NOTICE: For positioning without overswing in the intermediate position, it is recommended to limit the mass moment of inertia to 40% of the maximum permissible value!

The pressure dew point must be at least 15 °C less than ambient and medium temperature and may not exceed 3 °C.

The oil content of compressed air must remain constant during the life cycle.

Use only the approved oils from AVENTICS. Further information can be found in the "Technical information" document (available in <https://www.emerson.com/en-us/support>).

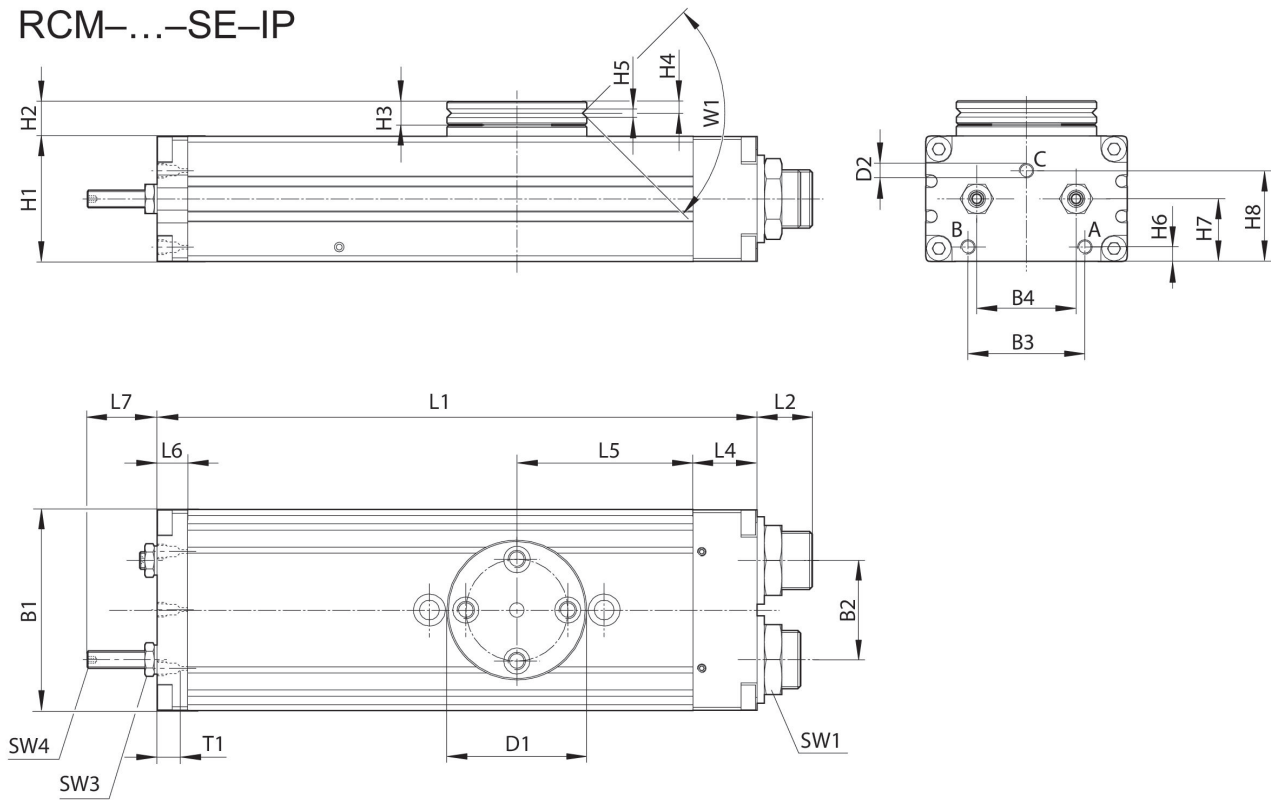
Rotary Compact Module, Series RCM-SE

2024-04-05

R412000395

RCM-12/.../-25

RCM-...-SE-IP



T1 = depth of thread

Part No.	B1	B2	B3	B4	Ø D1	Ø D2	H1	H2	H3
R412000395	43	18	24	18	35	M5	24	10.5	6

Part No.	H4	H5	H6	H7	H8	L1	L2	L4	L5
R412000395	2.9	2.5	3.7	12.5	18.1	136	12.5	14	40

Part No.	L6	L7	SW1	SW3	SW4	T1	W1
R412000395	8.5	17	15	7	2	4	90°

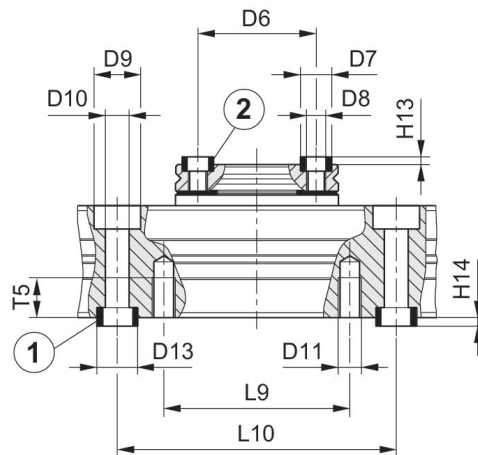
Mounting and assembly

RCM-12

Rotary Compact Module, Series RCM-SE

2024-04-05

R412000395



1) centering sleeve, included in the scope of delivery 2) centering sleeve

Part No.	Frame size	$\varnothing D6 \pm 0,02$	$\varnothing D7 k6$	$\varnothing D8$	$\varnothing D9$	$\varnothing D10$	$\varnothing D11$	$\varnothing D13 k6$	$H13 +0,2$
R412000395	RCM-12	25	7	M4	10	5.1	M5	9	1.6

Part No.	$H14 +0,2$	L9	$L10 \pm 0,02$	T5
R412000395	2.1	40	60	8.5