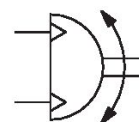


# Rotary Compact Module, Series RCM-SH

2024-04-05

R412000371

The AVENTICS Series RCM with its rotary modules can perform all standardized rotary and swivel movements. These modules can be installed directly on mini slides and are equipped with mechanical grippers.



## Technical data

Industry	Industrial
Diameter	16 mm
Compressed air connection	M5
Magnetic piston	with magnetic piston
Rotary compact module version	Double piston with rack
Easy2Combine	capable
Frame size	RCM-16
Theoretical torque at	6 bar
Min. swivel times	0.32 s
Air consumption per rotation	10.36 cm <sup>3</sup>
Max. permissible axial bearing load	490 N
Radial shaft load	580 N
Max. permissible mass moment of inertia	80 kg cm <sup>2</sup>
Theoretical torque	1.7 Nm
Repetitive precision	0.05 °
Cushioning	hydraulic
Cushioning	non-adjustable
Min. angle of rotation	0 °
Max. angle of rotation	90 °

R412000371

---

Min. working pressure	2 bar
Max. working pressure	8 bar
Min. ambient temperature	5 °C
Max. ambient temperature	60 °C
Min. medium temperature	5 °C
Max. medium temperature	60 °C
Medium	Compressed air
Min. oil content of compressed air	0 mg/m <sup>3</sup>
Max. oil content of compressed air	1 mg/m <sup>3</sup>
Max. particle size	5 µm
Weight	0.77 kg

## Material

Housing material	Aluminum
Surface housing	anodized
Material front cover	Aluminum
Surface cover	black anodized
Material base	Aluminum
Surface base	black anodized
Seal material	Acrylonitrile butadiene rubber
Material axis	Steel, chrome-plated
Surface axis	hardened
Material rotary flange	Steel, chrome-plated
Surface rotary flange	hardened
Part No.	R412000371

## Technical information

The pressure dew point must be at least 15 °C less than ambient and medium temperature and may not exceed 3 °C.

The oil content of compressed air must remain constant during the life cycle.

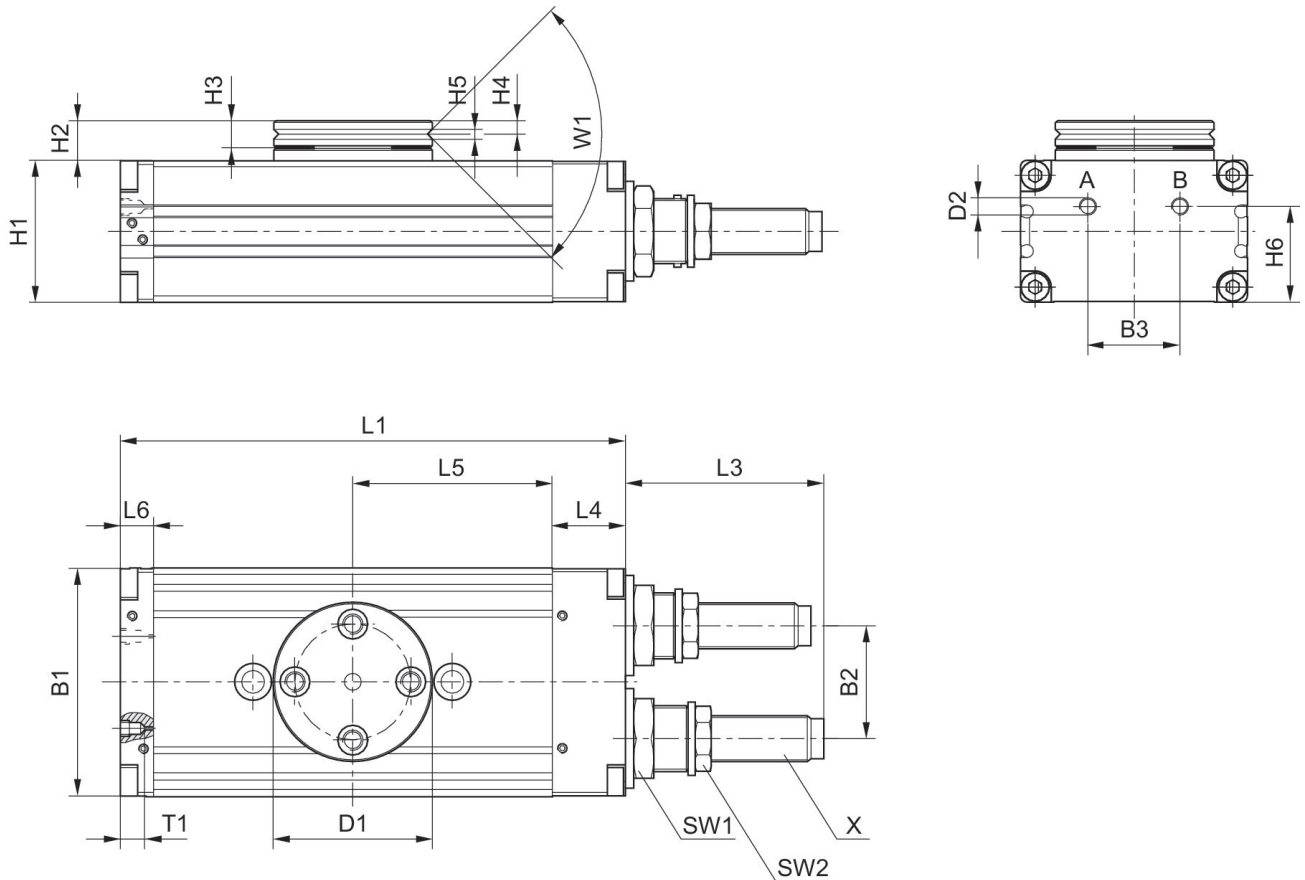
Use only the approved oils from AVENTICS. Further information can be found in the “Technical information” document (available in <https://www.emerson.com/en-us/support>).

# Rotary Compact Module, Series RCM-SH

2024-04-05

R412000371

## RCM-12/.../-25



T1 = depth of thread

Part No.	B1	B2	B3	Ø D1	Ø D2	H1	H2	H3	H4
R412000371	52	24	20	40	M5	32	10	7	3.3
R412000372	52	24	20	40	M5	32	10	7	3.3
R412000373	58	30	20	42	M5	37	11	7	3.3
R412000374	58	30	20	42	M5	37	11	7	3.3
R412000375	69	34	28	48	M5	43	12	8	4
R412000376	69	34	28	48	M5	43	12	8	4

Part No.	H5	H6	L1	L3	L4	L5	L6	SW1	SW2
R412000371	2.5	21	108	34	18	40	10	19	13
R412000372	2.5	21	108	34	18	40	10	19	13
R412000373	3	26	114	48.5	19	43	9	19	15
R412000374	3	26	114	48.5	19	43	9	19	15
R412000375	3	29	153	60	22	60.5	10	23	17
R412000376	3	29	153	60	22	60.5	10	23	17

Part No.	T1	W1	X
R412000371	4	90°	M10x1

# Rotary Compact Module, Series RCM-SH

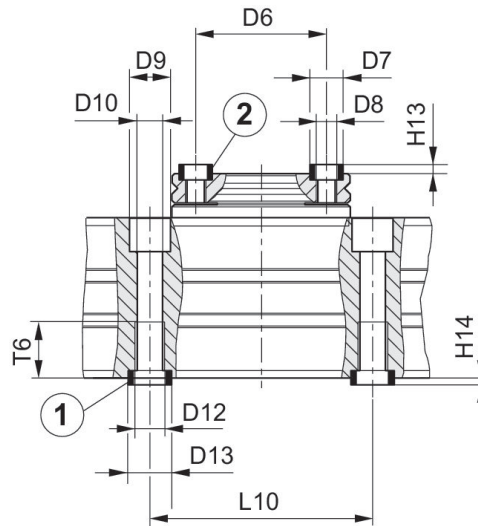
2024-04-05

R412000371

Part No.	T1	W1	X
R412000372	4	90°	M10x1
R412000373	4	90°	M12x1
R412000374	4	90°	M12x1
R412000375	4	90°	M14x1,5
R412000376	4	90°	M14x1,5

## Mounting and assembly

## RCM 16 – 25



1) centering sleeve, included in the scope of delivery 2) centering sleeve

Part No.	Ø D6 ±0,02	Ø D7 k6	Ø D8	Ø D9	Ø D10	Ø D11	Ø D12	Ø D13 k6	H13 +0,2
R412000371	30	7	M5	10	5	–	M6	9	1.6
R412000372	30	7	M5	10	5	–	M6	9	1.6
R412000373	30	7	M5	11	6.8	–	M8	12	1.6
R412000374	30	7	M5	11	6.8	–	M8	12	1.6
R412000375	35	9	M6	11	6.8	–	M8	12	2.1
R412000376	35	9	M6	11	6.8	–	M8	12	2.1

Part No.	H14 +0,2	L9	L10 ±0,02	T5	T6
R412000371	2.1	–	60	–	11.1
R412000372	2.1	–	60	–	11.1
R412000373	2.1	–	60	–	15.1
R412000374	2.1	–	60	–	15.1
R412000375	2.1	–	60	–	15.1
R412000376	2.1	–	60	–	15.1