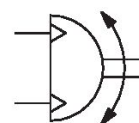


Rotary Compact Module, Series RCM-SH

2024-04-05

R412000394

The AVENTICS Series RCM with its rotary modules can perform all standardized rotary and swivel movements. These modules can be installed directly on mini slides and are equipped with mechanical grippers.



Technical data

Industry	Industrial
Diameter	25 mm
Compressed air connection	M5
Magnetic piston	with magnetic piston
Rotary compact module version	Double piston with rack
Easy2Combine	capable
Frame size	RCM-25
air duct	with air duct
Number of air ducts	4
Theoretical torque at	6 bar
Min. swivel times	0.6 s
Air consumption per rotation	77.5 cm ³
Max. permissible axial bearing load	1160 N
Radial shaft load	700 N
Max. permissible mass moment of inertia	450 kg cm ²
Theoretical torque	6.5 Nm
Repetitive precision	0.05 °
Cushioning	hydraulic
Cushioning	non-adjustable
Min. angle of rotation	0 °
Max. angle of rotation	180 °
Min. working pressure	2 bar
Max. working pressure	8 bar
Min. ambient temperature	5 °C
Max. ambient temperature	60 °C
Min. medium temperature	5 °C

R412000394

Max. medium temperature	60 °C
Medium	Compressed air
Min. oil content of compressed air	0 mg/m ³
Max. oil content of compressed air	1 mg/m ³
Max. particle size	5 µm
Weight	1.95 kg

Material

Housing material	Aluminum
Surface housing	anodized
Material front cover	Aluminum
Surface cover	black anodized
Material base	Aluminum
Surface base	black anodized
Seal material	Acrylonitrile butadiene rubber
Material axis	Steel, chrome-plated
Surface axis	hardened
Material rotary flange	Steel, chrome-plated
Surface rotary flange	hardened
Part No.	R412000394

Technical information

The pressure dew point must be at least 15 °C less than ambient and medium temperature and may not exceed 3 °C.

The oil content of compressed air must remain constant during the life cycle.

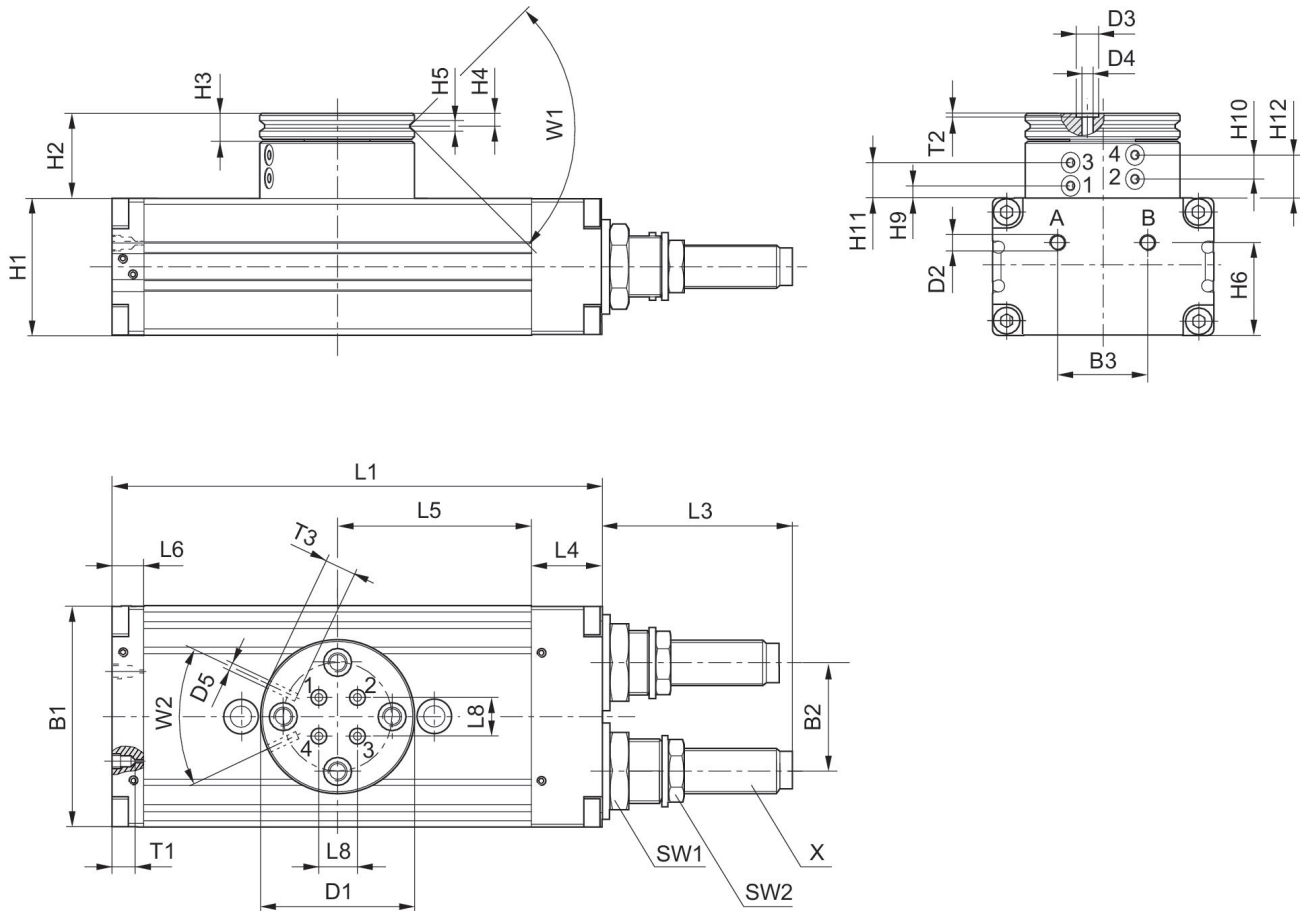
Use only the approved oils from AVENTICS. Further information can be found in the “Technical information” document (available in <https://www.emerson.com/en-us/support>).

Rotary Compact Module, Series RCM-SH

2024-04-05

R412000394

RCM-16/.../-25



T1 = depth of thread

Part No.	B1	B2	B3	Ø D1	Ø D2	Ø D3	Ø D4	Ø D5	H1
R412000389	52	24	20	40	M5	5	2.5	M3	32
R412000390	52	24	20	40	M5	5	2.5	M3	32
R412000391	58	30	20	42	M5	5	2.5	M3	37
R412000392	58	30	20	42	M5	5	2.5	M3	37
R412000393	69	34	28	48	M5	5	2.5	M3	43
R412000394	69	34	28	48	M5	5	2.5	M3	43

Part No.	H2	H3	H4	H5	H6	H9 ±0,2	H10 ±0,2	H11 ±0,2	H12 ±0,2
R412000389	25.5	7	3.3	2.5	21	3.9	6.5	11.1	13.7
R412000390	25.5	7	3.3	2.5	21	3.9	6.5	11.1	13.7
R412000391	26	7	3.3	3	26	4.4	7	11.6	14.2
R412000392	26	7	3.3	3	26	4.4	7	11.6	14.2
R412000393	26.5	8	4	3	29	3.9	6.5	11.1	13.7
R412000394	26.5	8	4	3	29	3.9	6.5	11.1	13.7

Rotary Compact Module, Series RCM-SH

2024-04-05

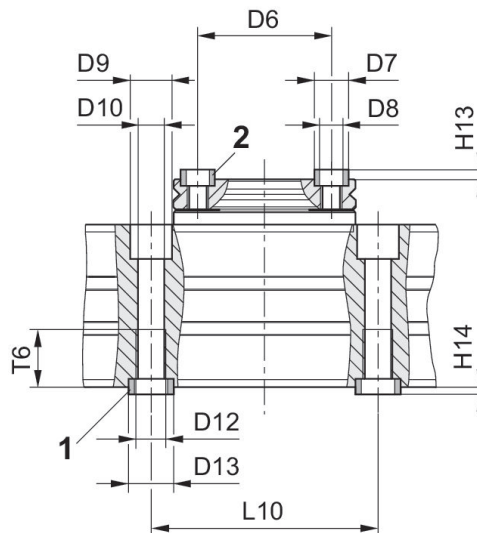
R412000394

Part No.	L1	L3	L4	L5	L6	L8	SW1	SW2	T1
R412000389	108	34	18	40	10	6	19	13	4
R412000390	108	34	18	40	10	6	19	13	4
R412000391	114	48.5	19	43	9	10	19	15	4
R412000392	114	48.5	19	43	9	10	19	15	4
R412000393	153	60	22	60.5	10	12	23	17	4
R412000394	153	60	22	60.5	10	12	23	17	4

Part No.	T2	T3	W1	W2	X
R412000389	0.7	4	90°	50°	M10x1
R412000390	0.7	4	90°	50°	M10x1
R412000391	0.7	4	90°	50°	M12x1
R412000392	0.7	4	90°	50°	M12x1
R412000393	0.7	4	90°	50°	M14x1,5
R412000394	0.7	4	90°	50°	M14x1,5

Mounting and assembly

RCM-16/.../-25



1) centering sleeve, included in the scope of delivery 2) centering sleeve

Part No.	Ø D6 ±0,02	Ø D7 k6	Ø D8	Ø D9	Ø D10	Ø D12	Ø D13 k6	H13 +0,2	H14 +0,2
R412000389	30	7	M5	10	5	M6	9	1.6	2.1
R412000390	30	7	M5	10	5	M6	9	1.6	2.1
R412000391	30	7	M5	11	6.8	M8	12	1.6	2.1
R412000392	30	7	M5	11	6.8	M8	12	1.6	2.1
R412000393	35	9	M6	11	6.8	M8	12	2.1	2.1
R412000394	35	9	M6	11	6.8	M8	12	2.1	2.1

Part No.	L10 ±0,02	T6
R412000389	60	11.1
R412000390	60	11.1
R412000391	60	15.1

Rotary Compact Module, Series RCM-SH

2024-04-05

R412000394

Part No.	L10 ±0,02	T6
R412000392	60	15.1
R412000393	60	15.1
R412000394	60	15.1