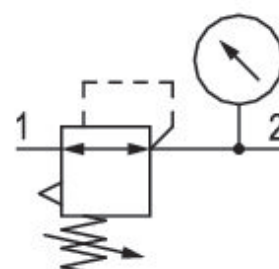


Pressure regulator, Series 652

G652AR002GA00H0

General series information
Series 651

- The AVENTICS Series 652 is an easy-to-install line of pneumatic filters, regulators and lubricators (FRLs) that offer the industry's highest flow rates and widest temperature ratings. Available in 1/4-inch, 3/8-inch, and 1/2-inch port sizes, these FRLs are ideal for automotive and tire, packaging, food and beverage, and process applications requiring highly reliable operation and robust, modern-looking equipment. Available with integrated redundant safe exhaust valve and IIoT enabled air flow sensor.



Technical data

| | |
|------------------------------------|--------------------------------|
| Industry | Industrial |
| Parts | Pressure regulator |
| Pressure gauge | With integrated pressure gauge |
| Port | G 1/4 |
| Compressed air connection standard | according to ISO 228-1 |
| Nominal flow Qn | 4120 l/min |
| Regulation range min. | 0.5 bar |
| Regulation range max. | 10 bar |
| Working pressure min. | 0 bar |
| Working pressure max | 16 bar |
| Min. ambient temperature | -20 °C |
| Max. ambient temperature | 50 °C |

| | |
|--------------------------|---|
| Ambient temperature note | Extended temperature range min./max. (optional) -40 °C ... 80 °C |
| Regulator type | Can be assembled into blocks |
| Certificates | ATEX optional |
| Hysteresis | < 0,2 bar |
| Medium | Compressed air Neutral gases |
| Weight | 0.43 kg |

Material

| | |
|----------------------|--------------------------|
| Housing material | Aluminum |
| Material front plate | Polyamide |
| Seal material | Nitrile butadiene rubber |
| Part No. | G652AR002GA00H0 |

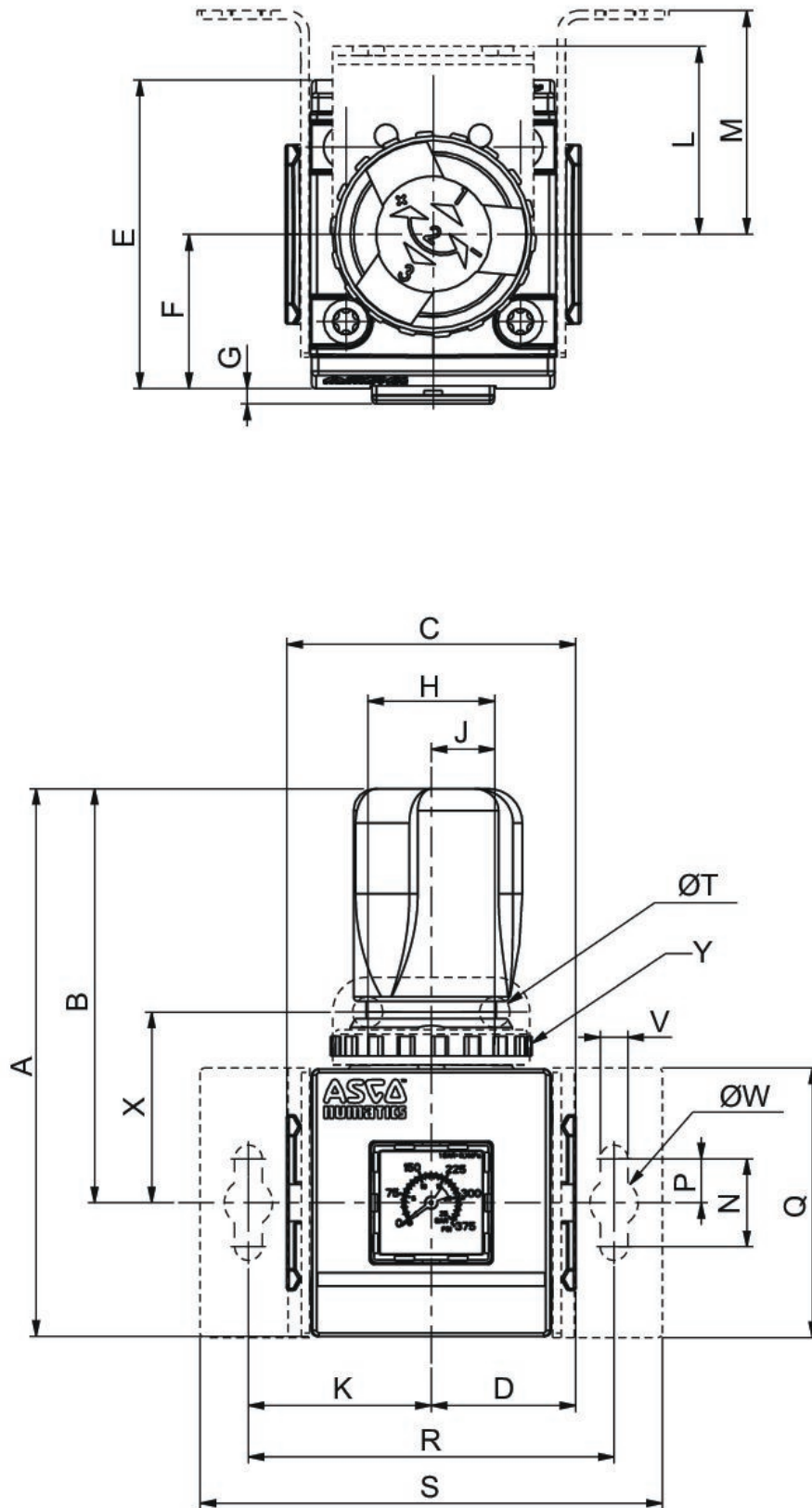
Technical information

The pressure dew point must be at least 15 °C less than ambient and medium temperature and may not exceed 3 °C.

The oil content of compressed air must remain constant during the life cycle.

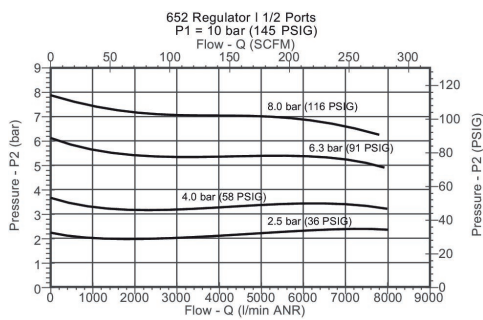
Use only the approved oils from AVENTICS. Further information can be found in the "Technical information" document (available in <https://www.emerson.com/en-us/support>).

Dimensions

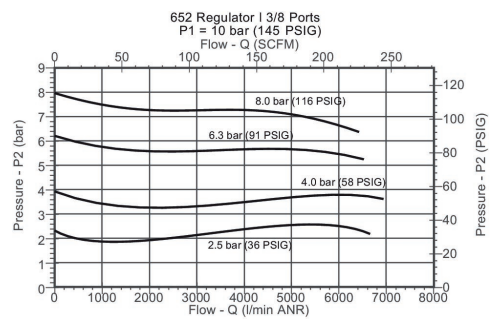


| Series | 652 |
|--------|-------|
| A | 125 |
| B | 94,5 |
| C | 66 |
| D | 33 |
| E | 69 |
| F | 34,5 |
| G | 2,5 |
| H | 29 |
| J | 14,5 |
| K | 41,75 |
| L | 42 |
| M | 50 |
| N | 20 |
| P | 10 |
| Q | 61,5 |
| R | 83,5 |
| S | 105,5 |
| T | 7 |
| V | 6,3 |
| W | 11 |
| X | 43,5 |
| Y | M37x2 |

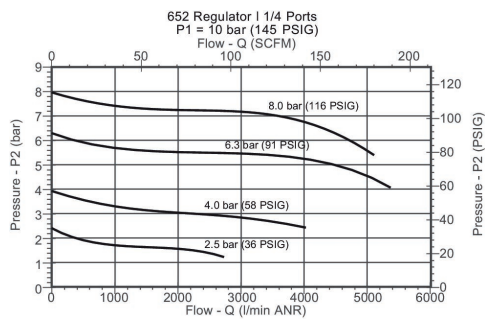
Flow diagram
G 1/2



Flow diagram
G 3/8



Flow diagram G 1/4



Accessories overview

