

# Rodless cylinders, Series RTC-SB

R480470716

AVENTICS  
Series RTC  
Rodless  
cylinders

2024-04-22

## AVENTICS Series RTC Rodless cylinders

The AVENTICS Series RTC rodless cylinders offer optimized stroke length in a compact size. The unique oval piston shape and one-piece slide/piston unit are just two characteristic features of RTC Series rodless cylinders besides their many common equipment options. They are available in four variants: as a basic version, slide bearing, compact guide and heavy duty versions for large loads. With different key strengths, they cover a large range of movements and positions. This saves space and facilitates machine design. The range of applications extends from piston diameters of 16 mm up to 80 mm and stroke lengths up to 9900 mm. The cylinders feature extreme repeatability and cover a large speed range from 0.01 m/s to >20 m/s.



## Technical data

|  |                      |
|--|----------------------|
| Industry                               | Industrial           |
| Piston Ø                               | 25 mm                |
| Stroke                                 | 700 mm               |
| Ports                                  | G 1/8                |
| Functional principle                   | Double-acting        |
| Magnetic piston                        | with magnetic piston |
| Guide                                  | Slide bearing guide  |
| Piston force                           | 309 N                |
| Pressure for determining piston forces | 6,3 bar              |
| Cushioning length                      | 20 mm                |
| Cushioning energy                      | 4 J                  |
| Cushioning                             | Pneumatically        |
| Cushioning                             | adjustable           |
| Max. speed                             | 6.5 m/s              |
| Stroke max.                            | 6600 mm              |
| Min. working pressure                  | 2 bar                |
| Max. working pressure                  | 8 bar                |
| Min. ambient temperature               | -10 °C               |
| Max. ambient temperature               | 60 °C                |

# Rodless cylinders, Series RTC-SB

R480470716

AVENTICS  
Series RTC  
Rodless  
cylinders

2024-04-22

|                                    |                     |
|------------------------------------|---------------------|
| Medium                             | Compressed air      |
| Min. oil content of compressed air | 0 mg/m <sup>3</sup> |
| Max. oil content of compressed air | 1 mg/m <sup>3</sup> |
| Max. particle size                 | 5 µm                |
| Weight 0 mm stroke                 | 1.34 kg             |
| Weight +10 mm stroke               | 0.033 kg            |

## Material

|                         |                                 |
|-------------------------|---------------------------------|
| Material cylinder tube  | Aluminum                        |
| Surface cylinder tube   | anodized                        |
| Material front cover    | Aluminum                        |
| Surface cover           | anodized                        |
| Seal material           | Polyurethane                    |
| Material sealing strips | Polyurethane<br>Stainless Steel |
| Material guide rail     | Aluminum                        |
| Surface ball rail table | anodized                        |
| Part No.                | R480470716                      |

## Technical information

The pressure dew point must be at least 15 °C less than ambient and medium temperature and may not exceed 3 °C.

The delivered product is lubricated for lifetime.

The pressure dew point must be at least 15 °C less than ambient and medium temperature and may not exceed 3 °C.

The oil content of compressed air must remain constant during the life cycle.

Use only the approved oils from AVENTICS. Further information can be found in the "Technical information" document (available in <https://www.emerson.com/en-us/support>).

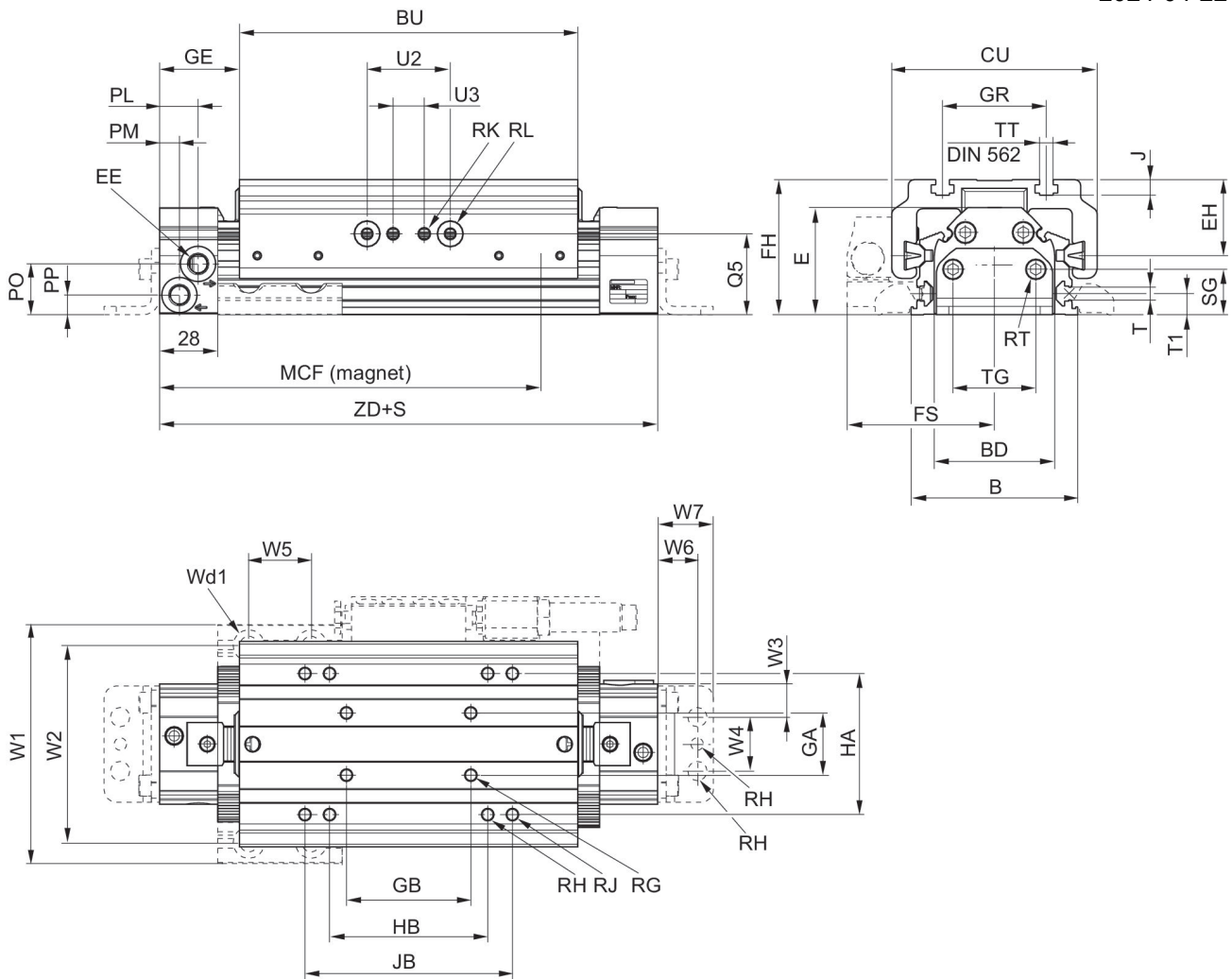
# Rodless cylinders, Series RTC-SB

R480470716

AVENTICS  
Series RTC  
Rodless  
cylinders

2024-04-22

## Dimensions in mm



S = stroke

## For long slide

| Piston Ø | Part No.   | BU  | HB    | JB  | MCF | ZD  |
|----------|------------|-----|-------|-----|-----|-----|
| 25 mm    | R480470710 | 294 | 101.6 | 160 | 312 | 362 |
| 25 mm    | R480470720 | 326 | 101.6 | 200 | 345 | 403 |
| 25 mm    | R480470700 | 364 | 127   | 240 | 388 | 445 |
| 25 mm    | R480695199 | 410 | 152.4 | 240 | 434 | 499 |

## Dimensions

| Piston Ø | Part No.   | B    | BU  | BD | CU | EE    | EH   | FH   | FS |
|----------|------------|------|-----|----|----|-------|------|------|----|
| 25 mm    | R480470710 | 67,3 | 147 | 44 | 81 | G 1/8 | 28   | 55.1 | 62 |
| 25 mm    | R480470720 | 80,3 | 163 | 58 | 99 | G 1/8 | 36,6 | 65.1 | 71 |

# Rodless cylinders, Series RTC-SB

R480470716

AVENTICS  
Series RTC  
Rodless  
cylinders

| Piston Ø | Part No.   | B     | BU  | BD | CU  | EE    | EH   | FH   | FS   |
|----------|------------|-------|-----|----|-----|-------|------|------|------|
| 25 mm    | R480470700 | 89,3  | 182 | 70 | 108 | G 1/4 | 41   | 71   | 79,5 |
| 25 mm    | R480695199 | 117,5 | 205 | 92 | 134 | G 1/4 | 37,6 | 78,2 | 97,5 |

| Piston Ø | GA | GB | GE   | GR | HA   | HB    | J   | JB  | MCF |
|----------|----|----|------|----|------|-------|-----|-----|-----|
| 25 mm    | 18 | 60 | 34   | 40 | 54.4 | 63.5  | 5.9 | 80  | 165 |
| 25 mm    | 30 | 60 | 38.5 | 50 | 68   | 76.2  | 7.5 | 100 | 182 |
| 25 mm    | 30 | 60 | 40.5 | 50 | 80   | 101.6 | 7.5 | 120 | 205 |
| 25 mm    | 40 | 60 | 44.6 | 70 | 100  | 127   | 9.8 | 160 | 230 |

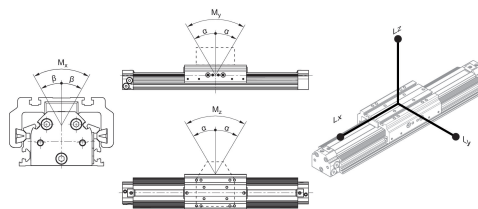
| Piston Ø | PL   | PM  | PO   | PP   | Q5   | RG | RH         | RJ | RK |
|----------|------|-----|------|------|------|----|------------|----|----|
| 25 mm    | 20   | 8   | 21.5 | 9.3  | 38.8 | M4 | 1/4-28 UNF | M6 | M6 |
| 25 mm    | 18.5 | 9.5 | 24.5 | 9.5  | 39   | M6 | 1/4-28 UNF | M6 | M6 |
| 25 mm    | 18   | 10  | 31.5 | 11   | 44.6 | M6 | 1/4-28 UNF | M6 | M6 |
| 25 mm    | 16   | 16  | 35,3 | 12,3 | 68.6 | M8 | 1/4-28 UNF | M8 | M8 |

| Piston Ø | RL        | RT 1) | SG   | T  | TT | T1   | TG | U2 | U3 |
|----------|-----------|-------|------|----|----|------|----|----|----|
| 25 mm    | Ø12.01 H7 | M5    | 17.3 | N6 | M4 | 10.1 | 19 | 40 | 15 |
| 25 mm    | Ø12.01 H7 | M6    | 22   | N6 | M6 | 10.1 | 40 | 40 | 15 |
| 25 mm    | Ø12.01 H7 | M6    | 22   | N6 | M6 | 11.2 | 40 | 40 | 15 |
| 25 mm    | Ø12.01 H7 | M8    | 22   | M8 | M8 | 14.1 | 40 | 72 | 40 |

| Piston Ø | W1  | W2  | W3 | W4 | W5 | W6   | W7   | Wd1  | Wd2   |
|----------|-----|-----|----|----|----|------|------|------|-------|
| 25 mm    | 96  | 79  | 7  | 18 | 30 | 13.5 | 19.8 | Ø6.8 | Ø6.8  |
| 25 mm    | 115 | 95  | 15 | 26 | 30 | 19   | 26.8 | Ø8.8 | Ø9.2  |
| 25 mm    | 124 | 104 | 15 | 26 | 30 | 19   | 26.8 | Ø8.8 | Ø9.2  |
| 25 mm    | 165 | 140 | 11 | 70 | 40 | 22   | 32.7 | Ø13  | Ø13.7 |

| Piston Ø | Wd3  | ZD  |
|----------|------|-----|
| 25 mm    | Ø4G8 | 215 |
| 25 mm    | Ø6G8 | 240 |
| 25 mm    | Ø6G8 | 263 |
| 25 mm    | Ø6G8 | 294 |

Max. play and recommended max.  
lever arm length



L = lever arm

M = moment (Nm)

# Rodless cylinders, Series RTC-SB

R480470716

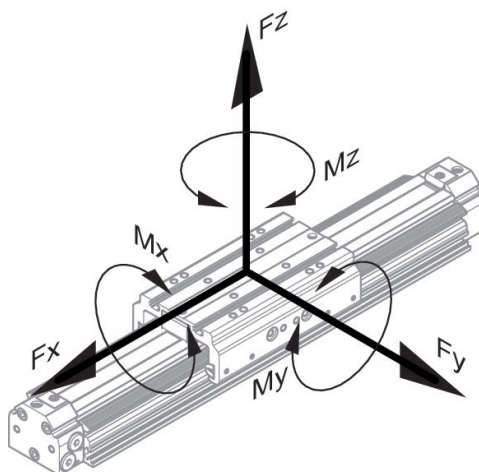
AVENTICS  
Series RTC  
Rodless  
cylinders

2024-04-22

## For long slide

| Part No.   | Piston Ø | $\alpha$         | $\beta$          | Lx  | Ly  | Lz  |
|------------|----------|------------------|------------------|-----|-----|-----|
| R480470711 | 25 mm    | $\leq 0,2^\circ$ | $\leq 0,3^\circ$ | 550 | 110 | 550 |
| R480470720 | 25 mm    | $\leq 0,1^\circ$ | $\leq 0,3^\circ$ | 610 | 320 | 610 |
| R480470701 | 25 mm    | $\leq 0,1^\circ$ | $\leq 0,3^\circ$ | 610 | 320 | 610 |

| Part No.   | Piston Ø | $\alpha$         | $\beta$          | Lx  | Ly  | Lz  |
|------------|----------|------------------|------------------|-----|-----|-----|
| R480470711 | 25 mm    | $\leq 0,2^\circ$ | $\leq 0,3^\circ$ | 200 | 110 | 200 |
| R480470720 | 25 mm    | $\leq 0,2^\circ$ | $\leq 0,3^\circ$ | 240 | 120 | 240 |
| R480470701 | 25 mm    | $\leq 0,2^\circ$ | $\leq 0,3^\circ$ | 240 | 120 | 240 |



## For long slide

| Part No.   | Piston Ø | Mx [Nm] | My [Nm] | Mz [Nm] |
|------------|----------|---------|---------|---------|
| R480470711 | 25 mm    | 1,4     | 60      | 60      |
| R480470720 | 25 mm    | 6       | 90      | 90      |
| R480470701 | 25 mm    | 8       | 100     | 100     |

## For long slide

| Part No.   | Piston Ø | Fx [N] | Fy [N] | Fz [N] | Mx [Nm] | My [Nm] | Mz [Nm] |
|------------|----------|--------|--------|--------|---------|---------|---------|
| R480470711 | 25 mm    | 1800   | 1200   | 3200   | 42      | 160     | 160     |
| R480470720 | 25 mm    | 2200   | 1400   | 3800   | 96      | 310     | 310     |
| R480470701 | 25 mm    | 2700   | 1400   | 3800   | 109     | 362     | 362     |

# Rodless cylinders, Series RTC-SB

R480470716

AVENTICS  
Series RTC  
Rodless  
cylinders

2024-04-22

## static

| Part No.   | Piston Ø | Fx [N] | Fy [N] | Fz [N] | Mx [Nm] | My [Nm] | Mz [Nm] |
|------------|----------|--------|--------|--------|---------|---------|---------|
| R480470711 | 25 mm    | 1800   | 700    | 2300   | 32      | 50      | 50      |
| R480470720 | 25 mm    | 2200   | 1000   | 2600   | 73      | 91      | 91      |
| R480470701 | 25 mm    | 2700   | 1000   | 2600   | 83      | 111     | 111     |

## dynamic

| Part No.   | Piston Ø | Mx [Nm] | My [Nm] | Mz [Nm] |
|------------|----------|---------|---------|---------|
| R480470711 | 25 mm    | 1.4     | 30      | 30      |
| R480470720 | 25 mm    | 6       | 45      | 45      |
| R480470701 | 25 mm    | 8       | 50      | 50      |