

AVENTICS Series RTC Rodless cylinders

The AVENTICS Series RTC rodless cylinders offer optimized stroke length in a compact size. The unique oval piston shape and one-piece slide/piston unit are just two characteristic features of RTC Series rodless cylinders besides their many common equipment options. They are available in four variants: as a basic version, slide bearing, compact guide and heavy duty versions for large loads. With different key strengths, they cover a large range of movements and positions. This saves space and facilitates machine design. The range of applications extends from piston diameters of 16 mm up to 80 mm and stroke lengths up to 9900 mm. The cylinders feature extreme repeatability and cover a large speed range from 0.01 m/s to >20 m/s.



Technical data

| | |
|--|----------------------|
| Industry | Industrial |
| Piston Ø | 50 mm |
| Stroke | 304.8 mm |
| Functional principle | Double-acting |
| Magnetic piston | with magnetic piston |
| Guide | integrated guide |
| Version rodless cylinder | Basic Version |
| Piston force | 1237 N |
| Pressure for determining piston forces | 6,3 bar |
| Cushioning length | 20 mm |
| Cushioning energy | 15 J |
| Cushioning | Pneumatically |
| Cushioning | adjustable |
| Max. speed | 3 m/s |
| Stroke max. | 9900 mm |
| Min. working pressure | 2 bar |
| Max. working pressure | 8 bar |
| Min. ambient temperature | -10 °C |
| Max. ambient temperature | 60 °C |

| | |
|------------------------------------|---------------------|
| Medium | Compressed air |
| Min. oil content of compressed air | 0 mg/m ³ |
| Max. oil content of compressed air | 1 mg/m ³ |
| Max. particle size | 5 µm |
| Weight 0 mm stroke | 3.37 kg |
| Weight +10 mm stroke | 0.065 kg |

Material

| | |
|-------------------------|---------------------------------|
| Material cylinder tube | Aluminum |
| Surface cylinder tube | anodized |
| Material front cover | Aluminum |
| Surface cover | anodized |
| Seal material | Polyurethane |
| Material sealing strips | Polyurethane Stainless Steel |
| Material guide rail | Aluminum |
| Surface ball rail table | anodized |
| Part No. | R480676502 |

Technical information

The pressure dew point must be at least 15 °C less than ambient and medium temperature and may not exceed 3 °C.

The delivered product is lubricated for lifetime.

These pneumatic components with NPT or inch thread dimensions are only available from our US sales organization.

Thread depth: 0.35 inch for piston Ø 5/8 - 1 1/2, 0.47 inch for piston Ø 5/8 - 3

Thread depth: 0.24 inch for piston Ø 5/8 - 1, 0.40 inch for piston Ø 1 1/4 - 2, 0.59 inch for piston Ø 2 1/2 - 3

Can be selected in the configurator (M7 for high-speed applications)

The pressure dew point must be at least 15 °C less than ambient and medium temperature and may not exceed 3 °C.

The oil content of compressed air must remain constant during the life cycle.

Use only the approved oils from AVENTICS. Further information can be found in the "Technical information" document (available in <https://www.emerson.com/en-us/support>).

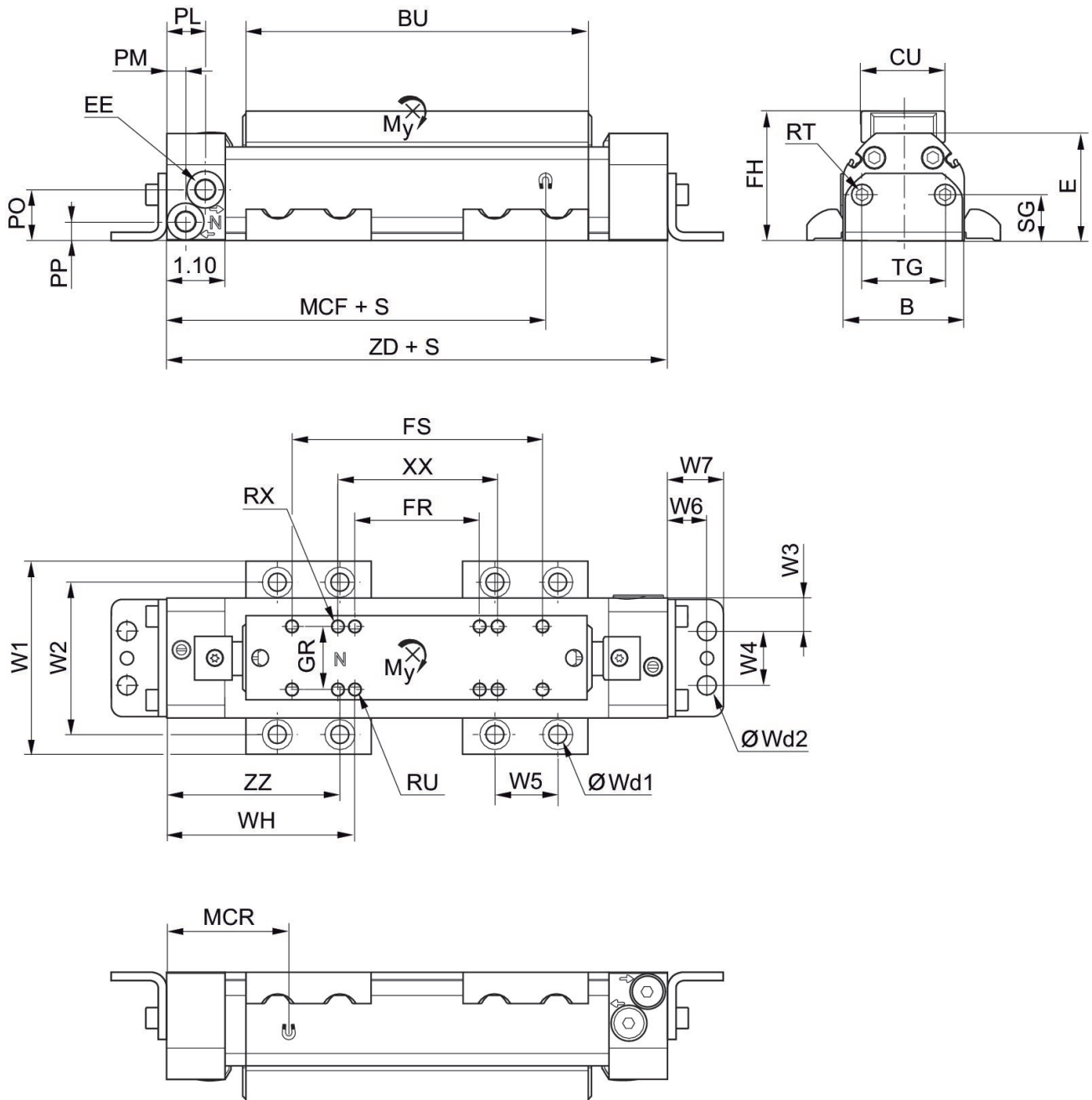
Rodless cylinders, Series RTC-BV

R480676502

RTC

2024-05-14

Dimensions in inches



S = stroke

Dimensions in inches

| Piston Ø | Part No. | B | BU | CU | E | EE | FH | FR | FS |
|----------|------------|------|------|------|------|---------------|------|------|------|
| 50 mm | R480676512 | 1.34 | 4.65 | 1.02 | 1.42 | *10-32 UNF/M7 | 1.61 | 2.36 | 3.94 |
| 50 mm | R480671858 | 1.73 | 5.79 | 1.02 | 1.79 | 1/8 NPTF | 1.99 | 1.57 | 3.94 |
| 50 mm | R480676497 | 2.28 | 6.42 | 1.57 | 2.03 | 1/8 NPTF | 2.44 | 2.36 | 4.72 |
| 50 mm | R480608664 | 2.76 | 7.17 | 1.57 | 2.38 | 1/4 NPTF | 2.8 | 2.36 | 4.72 |

Rodless cylinders, Series RTC-BV

RTC

R480676502

2024-05-14

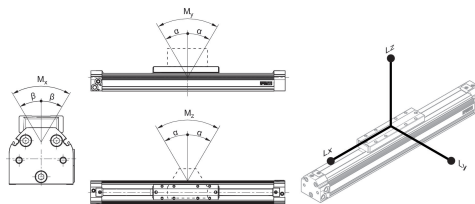
| Piston Ø | Part No. | B | BU | CU | E | EE | FH | FR | FS |
|----------|------------|------|-------|------|------|----------|------|------|------|
| 50 mm | R480676501 | 3.62 | 8.07 | 1.57 | 2.66 | 1/4 NPTF | 3.08 | 2.36 | 5.51 |
| 50 mm | R480676505 | 4.41 | 9.17 | 2.17 | 3.25 | 3/8 NPTF | 3.67 | 3.94 | 7.09 |
| 50 mm | R480676498 | 5.51 | 10.59 | 2.17 | 4.07 | 3/8 NPTF | 4.5 | 3.94 | 7.09 |

| Piston Ø | GR | PL | PM | PO | PP | RT 1) | RU 2) | RX | SG |
|----------|------|------|------|------|------|-------|-------|------------|------|
| 50 mm | 0.79 | 0.85 | 0.35 | 13,1 | 0.52 | M4 | M4 | 8-36 UNF | 0.68 |
| 50 mm | 0.79 | 0.79 | 0.31 | 21,5 | 0.85 | M5 | M4 | 8-36 UNF | 0.68 |
| 50 mm | 1.18 | 0.73 | 0.37 | 24,5 | 0.96 | M6 | M6 | 1/4-20 UNC | 0.87 |
| 50 mm | 1.18 | 0.71 | 0.39 | 31,5 | 1.24 | M6 | M6 | 1/4-20 UNC | 0.87 |
| 50 mm | 1.18 | 0.63 | 0.63 | 35,5 | 1.4 | M8 | M6 | 1/4-20 UNC | 0.87 |
| 50 mm | 1.57 | 0.55 | 0.55 | 45,5 | 1.79 | M8 | M8 | 1/4-20 UNC | 1.18 |
| 50 mm | 1.57 | 0.55 | 0.55 | 59,5 | 2.34 | M8 | M8 | 1/4-20 UNC | 1.18 |

| Piston Ø | TG | W1 | W2 | W3 | W4 | W5 | W6 | W7 | Wd1 |
|----------|------|------|------|------|------|------|------|------|-----|
| 50 mm | 0.75 | 2.48 | 1.79 | 0.31 | 0.71 | 1.18 | 0.53 | 0.78 | M6 |
| 50 mm | 0.75 | 2.87 | 2.19 | 0.51 | 0.71 | 1.18 | 0.53 | 0.78 | M6 |
| 50 mm | 1.57 | 3.66 | 2.85 | 0.63 | 1.02 | 1.18 | 0.75 | 1.06 | M8 |
| 50 mm | 1.57 | 4.13 | 3.33 | 0.87 | 1.02 | 1.18 | 0.75 | 1.06 | M8 |
| 50 mm | 1.57 | 5.51 | 4.51 | 0.43 | 2.76 | 1.57 | 0.87 | 1.29 | M12 |
| 50 mm | 3.15 | 6.3 | 5.3 | 1.22 | 1.97 | 1.57 | 0.87 | 1.29 | M12 |
| 50 mm | 3.15 | 7.4 | 6.4 | 1.77 | 1.97 | 1.57 | 0.87 | 1.29 | M12 |

| Piston Ø | Wd2 | ZZ | WH | ZD | Moving mass kg |
|----------|-----|------|------|-------|----------------|
| 50 mm | M6 | 2.68 | 2.5 | 7.36 | 0.17 |
| 50 mm | M6 | 2.73 | 3.44 | 8.46 | 0.35 |
| 50 mm | M8 | 3.22 | 3.54 | 9.45 | 0.71 |
| 50 mm | M8 | 3.68 | 4 | 10.35 | 1.08 |
| 50 mm | M12 | 4.29 | 4.61 | 9.82 | 1.61 |
| 50 mm | M12 | 5.06 | 4.59 | 13.12 | 2.29 |
| 50 mm | M12 | 5.61 | 5.14 | 14.21 | 4.71 |

Max. play and recommended max. lever arm length



L = lever arm

M = moment (Nm)

| Part No. | Piston Ø | Ø [inch] | α | β |
|------------|----------|----------|------|------|
| R480676512 | 50 mm | 5/8 | 0.5° | 0.2° |
| R480671858 | 50 mm | 1 | 0.5° | 0.2° |
| R480676497 | 50 mm | 1 1/4 | 0.6° | 1.5° |

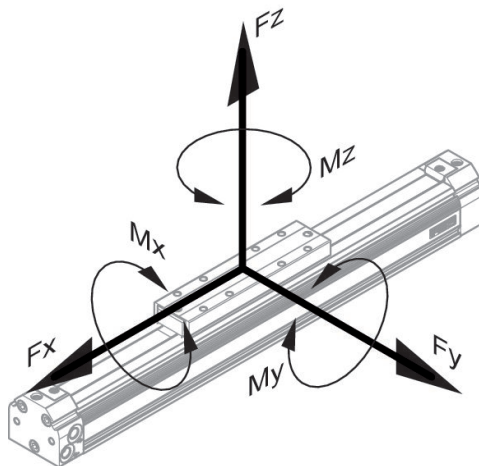
Rodless cylinders, Series RTC-BV

R480676502

RTC

2024-05-14

| Part No. | Piston Ø | Ø [inch] | α | β |
|------------|----------|----------|----------|---------|
| R480608664 | 50 mm | 1 1/2 | 0.4° | 1.0° |
| R480676501 | 50 mm | 2 | 0.4° | 1.0° |
| R480676505 | 50 mm | 2 1/2 | 0.3° | 1.0° |



static

| Part No. | Piston Ø | Ø [inch] | Fx [N] | Fy [N] | Fz [N] | Mx [Nm] | My [Nm] | Mz [Nm] |
|------------|----------|----------|--------|--------|--------|---------|---------|---------|
| R480676512 | 50 mm | 5/8 | 800 | 150 | 1100 | 2 | 25 | 8 |
| R480671858 | 50 mm | 1 | 1800 | 210 | 3800 | 6 | 50 | 12 |
| R480676497 | 50 mm | 1 1/4 | 2200 | 550 | 6600 | 18 | 80 | 43 |
| R480608664 | 50 mm | 1 1/2 | 3500 | 650 | 8000 | 28 | 140 | 55 |
| R480676501 | 50 mm | 2 | 5000 | 750 | 9000 | 35 | 230 | 70 |
| R480676505 | 50 mm | 2 1/2 | 6800 | 850 | 13000 | 45 | 340 | 90 |

dynamic

| Part No. | Piston Ø | Ø [inch] | Mx [Nm] | My [Nm] | Mz [Nm] |
|------------|----------|----------|---------|---------|---------|
| R480676512 | 50 mm | 5/8 | 0.42 | 10 | 2 |
| R480671858 | 50 mm | 1 | 1 | 24 | 3 |
| R480676497 | 50 mm | 1 1/4 | 3.8 | 42 | 12 |
| R480608664 | 50 mm | 1 1/2 | 6 | 75 | 15 |
| R480676501 | 50 mm | 2 | 9.1 | 128 | 20 |
| R480676505 | 50 mm | 2 1/2 | 14.5 | 195 | 24 |