

Holder for the shock absorber for stroke length adjustment

2023-10-25

R412025646

Foot mountings



Technical data

Industry

Industrial

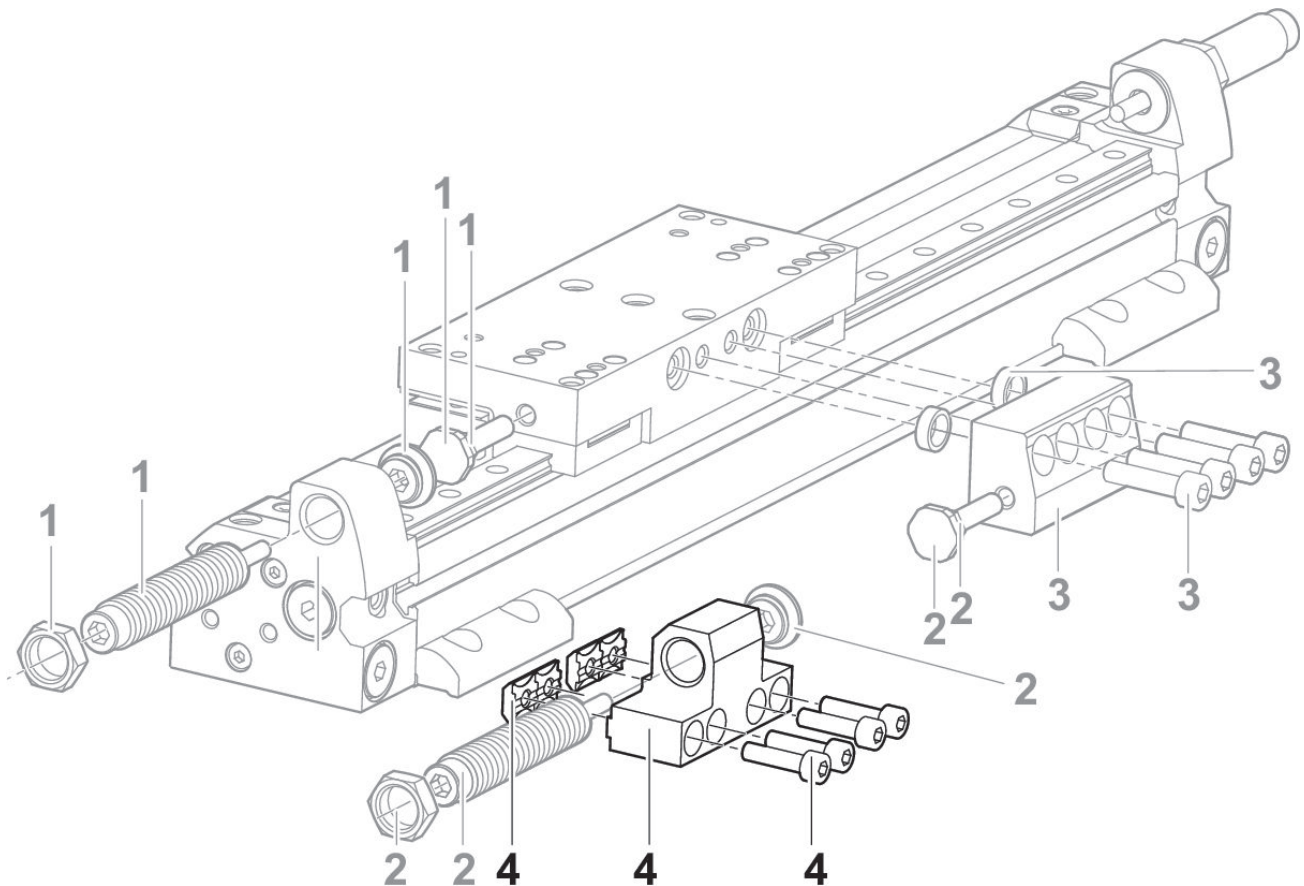
Type

Ø 25 mm

Material

Part No.

R412025646



- 1) Shock absorber kit
- 2) Shock absorber kit
- 3) Stop

Holder for the shock absorber for stroke length adjustment

2023-10-25

R412025646
4) Holder for shock absorber
