

Holder for the shock absorber for stroke length adjustment

2023-10-25

R412025647

Foot mountings



Technical data

Industry

Industrial

Type

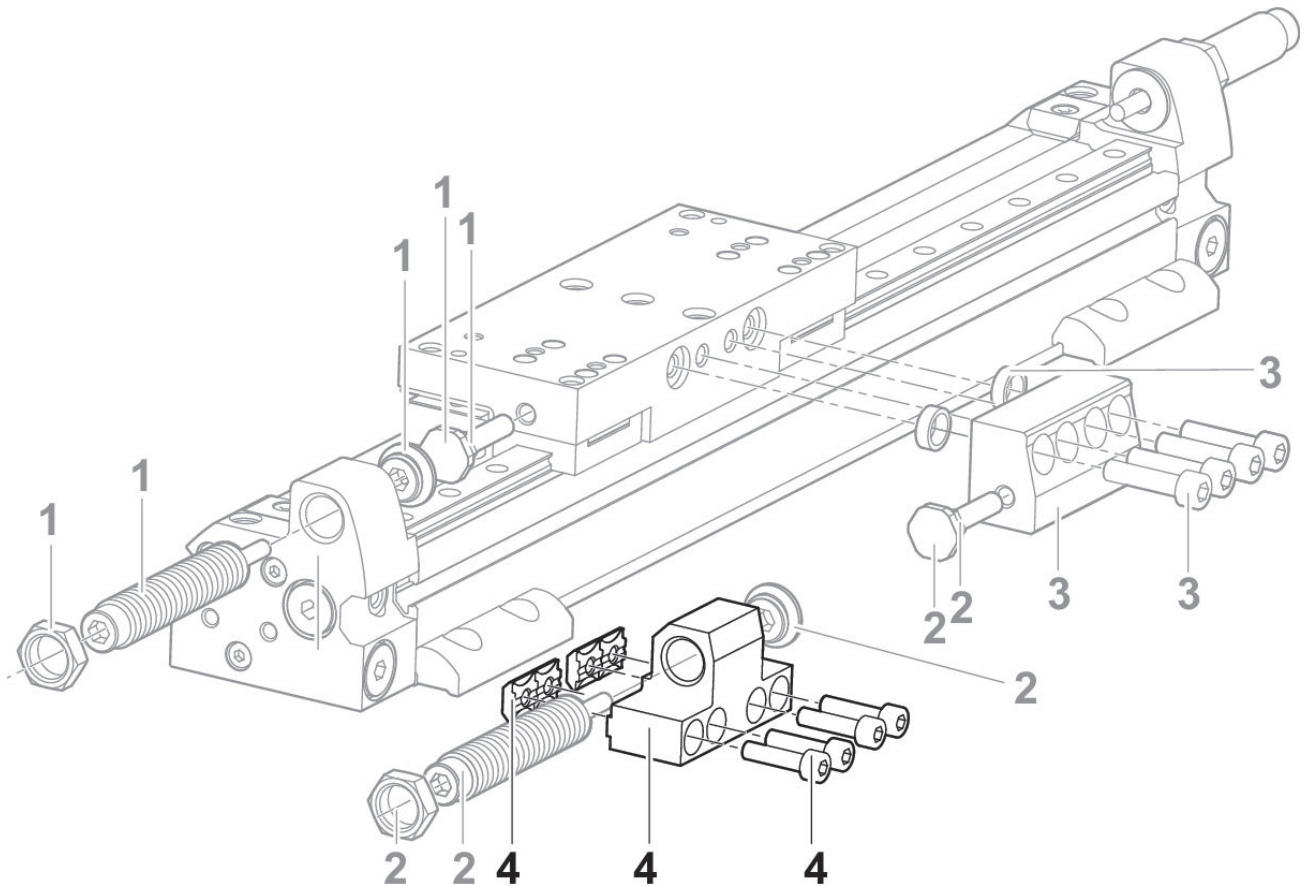
Ø 32 mm

Ø 40 mm

Material

Part No.

R412025647



1) Shock absorber kit

Holder for the shock absorber for stroke length adjustment

2023-10-25

R412025647

2) Shock absorber kit

3) Stop

4) Holder for shock absorber
