

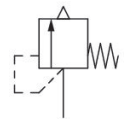
# Series RV1

R412007521

Safety  
valves

2024-04-15

## AVENTICS Safety valves



### Technical data

Industry	Industrial
Type	Poppet valve
Mounting	thread-in
Compressed air connection 1	G 1/4
Compressed air connection type 1	External thread
Compressed air connection type 2	Uncollected
Opening pressure of valve	0.8 bar
Nominal flow Qn 1 to 2	676 l/min
Min. working pressure	0 bar
Max. working pressure	20 bar
Min. ambient temperature	-20 °C
Max. ambient temperature	100 °C
Medium	Compressed air
Certificates	CE declaration of conformity

### Material

Housing material	Brass
Seal material	Fluorocautchouc
Part No.	R412007521

## Technical information

The specified performance values are achieved at a 10% (PE <[[1] bar], [[0,1] bar]) pressure increase, measured with compressed air at [[20]°C].

The min. control pressure must be adhered to, since otherwise faulty switching and valve failure may result!

The pressure dew point must be at least 15 °C less than ambient and medium temperature and may not exceed 3 °C.

The oil content of compressed air must remain constant during the life cycle.

Use only the approved oils from AVENTICS. Further information can be found in the “Technical information” document (available in <https://www.emerson.com/en-us/support>).

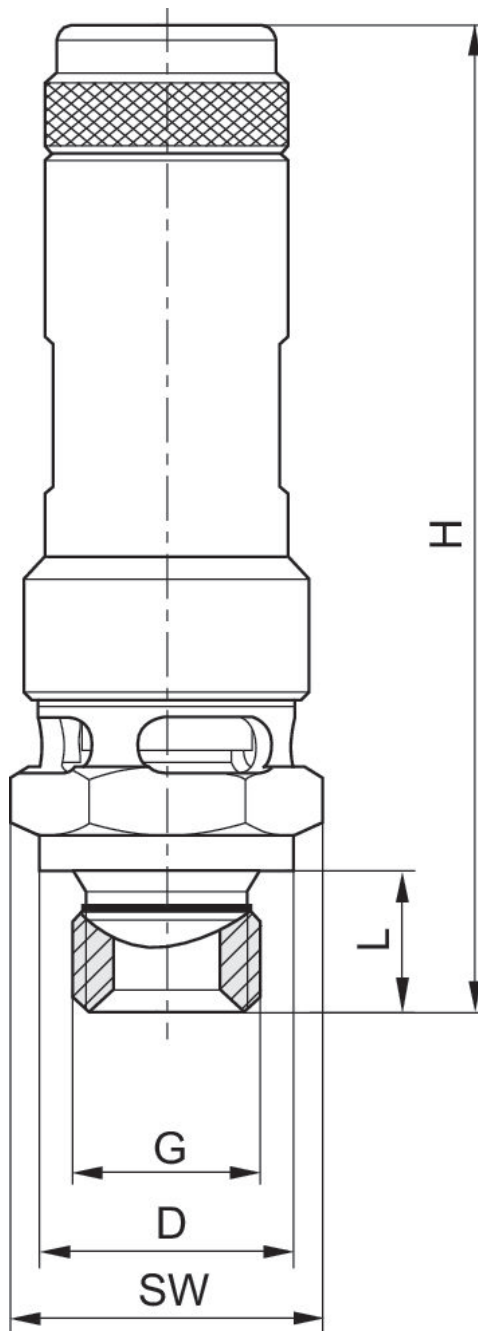
## Dimensions

# Series RV1

R412007521

Safety  
valves

2024-04-15



G = connection 1

Part No. G 1/4	Port G	Ø D	H	L	SW	T [Nm]	NW
R412007521	G 1/4	18	69	10	19	30	8
R412007522	G 1/4	18	69	10	19	30	8
R412007523	G 1/4	18	69	10	19	30	8
R412007524	G 1/4	18	69	10	19	30	8
R412007525	G 1/4	18	69	10	19	30	8
R412007526	G 1/4	18	69	10	19	30	8

# Series RV1

R412007521

Safety  
valves

2024-04-15

Part No. G 1/4	Port G	Ø D	H	L	SW	T [Nm]	NW
R412007527	G 1/4	18	69	10	19	30	8
R412007528	G 1/4	18	69	10	19	30	8
R412007529	G 1/4	18	69	10	19	30	8
R412007530	G 1/4	18	69	10	19	30	8
R412007531	G 1/4	18	69	10	19	30	8
R412007532	G 1/4	18	69	10	19	30	8
R412007533	G 3/8	22	75	10	24	40	10
R412007534	G 3/8	22	75	10	24	40	10
R412007535	G 3/8	22	75	10	24	40	10
R412007721	G 3/8	22	75	10	24	40	10
R412007536	G 3/8	22	75	10	24	40	10
R412007537	G 3/8	22	75	10	24	40	10
R412007538	G 3/8	22	75	10	24	40	10
R412007539	G 3/8	22	88	10	24	40	10
R412007540	G 3/8	22	88	10	24	40	10
R412007541	G 3/8	22	88	10	24	40	10
R412007542	G 1/2	26	78	12	27	50	15
R412007720	G 1/2	26	78	12	27	50	15
R412007690	G 1/2	26	78	12	27	50	15
R412007691	G 1/2	26	78	12	27	50	15
R412007692	G 1/2	26	78	12	27	50	15
R412007699	G 1/2	26	78	12	27	50	15
R412007696	G 1/2	26	78	12	27	50	15
R412007702	G 1/2	26	78	12	27	50	15
R412007698	G 1/2	26	78	12	27	50	15
R412007697	G 1/2	26	77.5	12	27	50	15
R412007693	G 1/2	26	91	12	27	50	15
R412007694	G 1/2	26	91	12	27	50	15
R412007700	G 1/2	26	91	12	27	50	15
R412007701	G 1/2	26	91	12	27	50	15
R412007695	G 1/2	26	91	12	27	50	15
R412007703	G 1/2	26	91	12	27	50	15
R412007543	G 1/2	26	91	12	27	50	15
R412007544	G 3/4	32	106	12	30	60	20
R412007684	G 3/4	32	106	12	30	60	20
R412007545	G 3/4	32	106	12	30	60	20
R412007546	G 3/4	32	106	12	30	60	20
R412007547	G 3/4	32	106	12	30	60	20
R412007548	G 3/4	32	106	12	30	60	20
R412007549	G 3/4	32	116	12	30	60	20
R412007550	G 3/4	32	116	12	30	60	20
R412007551	G 3/4	32	116	12	30	60	20
R412007552	G 3/4	32	116	12	30	60	20

T = maximum torque  
NW = nominal width