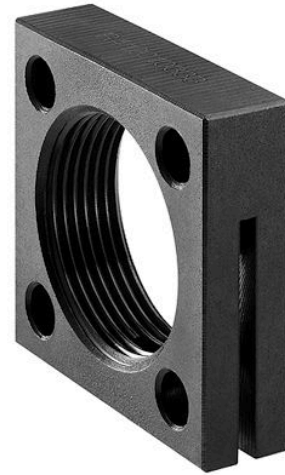


AVENTICS Flange mountings

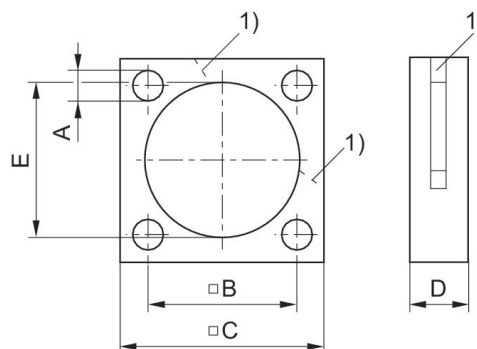


Technical data

| | |
|---------------|------------|
| Industry | Industrial |
| Version | SA1-MC |
| Delivery unit | 1 piece |
| Weight | 0.1 kg |

Material

| | |
|------------------|----------------------|
| Housing material | Steel, chrome-plated |
| Surface housing | bronzed |
| Part No. | R412010333 |



1) Clamping slot

Flange mounting

R412010333

Flange
mountings

2023-11-14

| Part No. | A | B | C | D | E |
|------------|-----|----|----|----|---------|
| R412010333 | 6.6 | 32 | 45 | 12 | M33x1,5 |
| R412010334 | 11 | 58 | 80 | 16 | M64x2 |