

AVENTICS Series SA1 Industrial shock absorbers

The AVENTICS Series SA1 industrial shock absorbers decelerate reliably moving masses and thereby increase process speed, production quality, the service life of production facilities and reduce operating noise.



Technical data

Industry	Industrial
Type	SA1-MC
Mounting thread	M6x0,5
Stroke	5 mm
Max. energy absorption/stroke	1 Nm
Max. energy absorption/hour	3000 Nm
Cushioning	self-compensating
Medium	Oil
Min. ambient temperature	-20 °C
Max. ambient temperature	80 °C
Effective mass m_e min.	0.8 kg
Effective mass m_e max.	2.8 kg
Min. return spring force	2 N
Max. return spring force	5 N
Mounting	Lock nut
Weight	0.003 kg

Material

Material cylinder tube	Steel, chrome-plated
------------------------	----------------------

Industrial shock absorber, Series SA1-MC

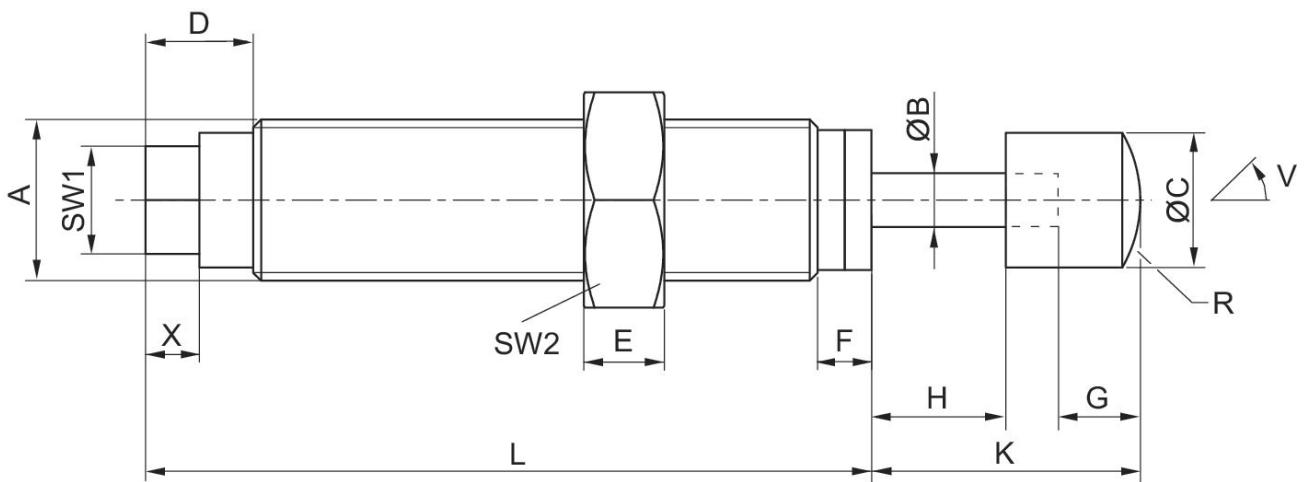
Series SA1

R412010284

2024-01-10

Surface cylinder tube	salt bath nitrocarburized
Material piston rod	Stainless Steel
Surface piston rod	ground and hardened
Material sealing for piston rod	Polyurethane
Material stop	Polyoxymethylene
Material lock nut	Steel, chrome-plated
Surface lock nut	salt bath nitrocarburized
Part No.	R412010284

Dimensions



A = mounting thread
V = tilt

Part No.	Type	Mounting thread	ØB	ØC	D	E	F	G	H
R412010284	SA1-MC	M6x0,5	2	5	4	3	2	2	5
R412010285	SA1-MC	M6x0,5	2	5	4	3	2	2	5

Part No.	K	L	R	SW1	SW2	W [°]	X
R412010284	10	27	5	4	8	2	2
R412010285	10	27	5	4	8	2	2