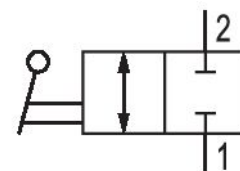


2/2-way stop valve, Series SC01

1823391912

General series information
AVENTICS Series SC01 Stop valves

- AVENTICS Series SC01 Stop valves are available even in 2/2 or 3/2 construction. SC01 stop valves control flow direction and support a diverse range of system requirements. Our ball valves are both reliable and robust when it comes to service and are available in various configurations and options.



Technical data

| | |
|----------------------------------|-----------------|
| Industry | Industrial |
| Type | Ball Valve |
| Switching principle | 2/2 |
| Medium | Compressed air |
| Compressed air connection 1 | G 3/8 |
| Compressed air connection type 1 | Internal thread |
| Compressed air connection 2 | G 3/8 |
| Compressed air connection type 2 | Internal thread |
| Min. ambient temperature | -18 °C |
| Max. ambient temperature | 80 °C |
| Min. medium temperature | -18 °C |
| Max. medium temperature | 80 °C |
| Working pressure min. | 0 bar |
| Working pressure max | 16 bar |
| Delivery unit | 2 piece |
| Weight | 0.065 kg |

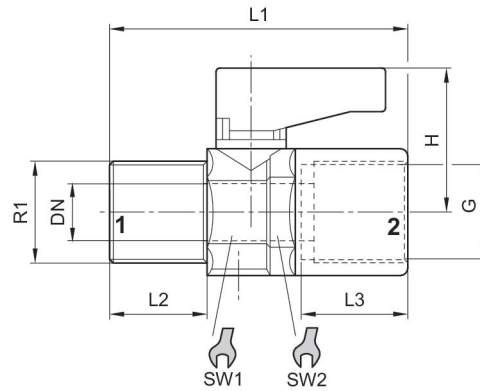
Material

| | |
|------------------|---------------|
| Housing material | Brass |
| Housing material | nickel-plated |

Seal material
Material hand lever
Part No.

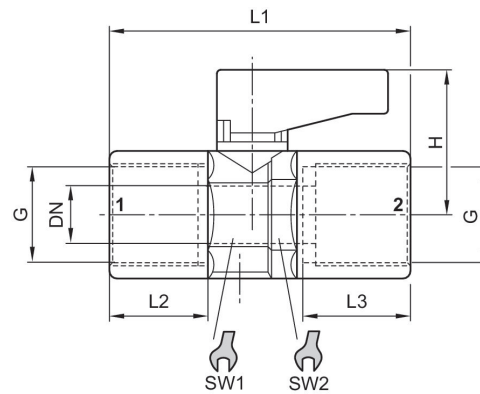
Polytetrafluorethylene
Polyamide
1823391912

Fig. 1



| Part No. | Port G | R1 | H | DN | L1 | L2 | L3 | SW1 | SW2 |
|------------|--------|-------|------|-----|----|------|------|-----|-----|
| 1823391906 | G 1/8 | R 1/8 | 21.5 | 5.5 | 36 | 8.6 | 8.6 | 14 | 15 |
| 1823391907 | G 1/4 | R 1/4 | 21.5 | 5.5 | 43 | 13.5 | 11.5 | 14 | 15 |
| 1823391908 | G 3/8 | R 3/8 | 22.5 | 8 | 46 | 13.5 | 11.8 | 18 | 19 |
| R412010091 | G 1/2 | R1/2 | 30.5 | 10 | 57 | 16.5 | 15 | 22 | 23 |

Fig. 2



| Part No. | Port G | H | DN | L1 | L2 | L3 | SW1 | SW2 |
|------------|--------|------|-----|----|------|------|-----|-----|
| 1823391910 | G 1/8 | 21.5 | 5.5 | 36 | 8.5 | 9 | 14 | 15 |
| 1823391911 | G 1/4 | 21.5 | 5.5 | 43 | 12.6 | 11.5 | 14 | 15 |
| 1823391912 | G 3/8 | 22.5 | 8 | 46 | 13 | 11.5 | 18 | 19 |