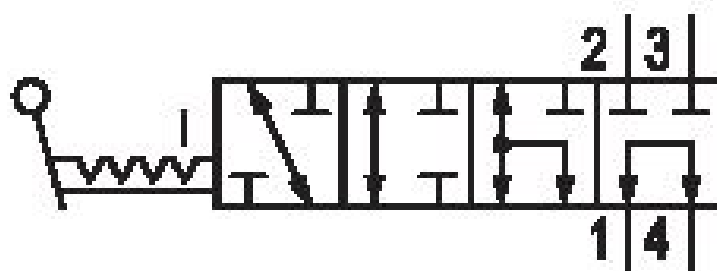
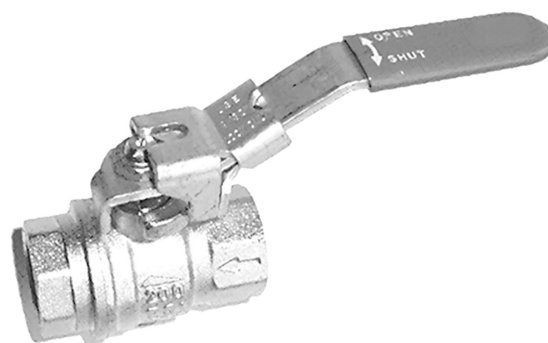


# 3/4-way ball valve

R412010722

General series information  
AVENTICS Series SC01 Stop valves

- AVENTICS Series SC01 Stop valves are available even in 2/2 or 3/2 construction. SC01 stop valves control flow direction and support a diverse range of system requirements. Our ball valves are both reliable and robust when it comes to service and are available in various configurations and options.



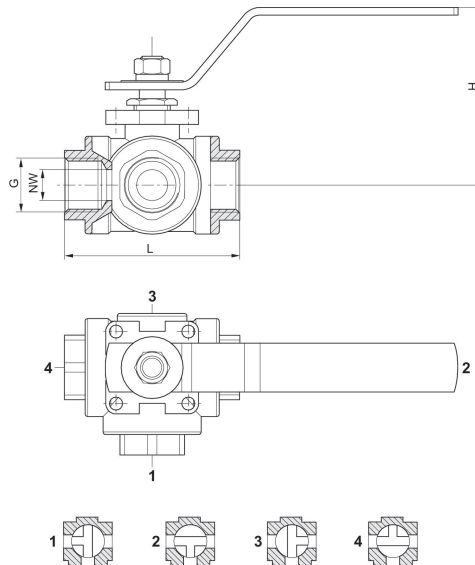
## Technical data

Industry	Industrial
Type	Ball Valve
Switching principle	3/4
Medium	Compressed air
Compressed air connection 1	G 1/4
Compressed air connection type 1	Internal thread
Min. ambient temperature	-10 °C
Max. ambient temperature	100 °C
Min. medium temperature	-10 °C
Max. medium temperature	100 °C
Working pressure min.	0 bar
Working pressure max	14 bar

## Material

Housing material	Stainless Steel
Seal material	Polytetrafluorethylene
Material hand lever	Stainless Steel
Surface hand lever	Plastic sheathing, blue
Part No.	R412010722

## Dimensions



Part No.	Port G	G	NW	L	H
R412010722	G 1/4	G 1/4	8	79	63
R412010723	G 1/2	G 1/2	12	68	66