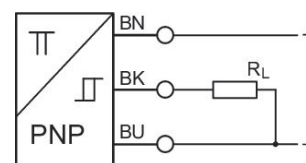
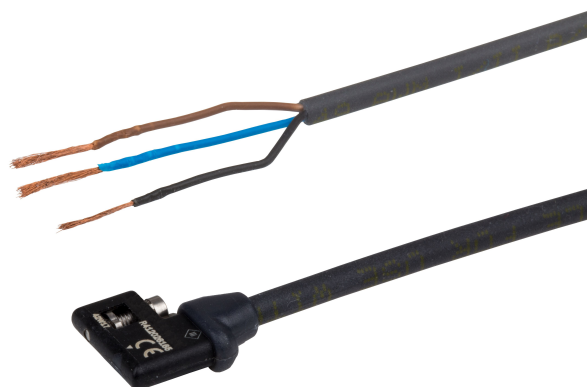


Sensor, Series SC4

R412026162

General series information
AVENTICS Series SC4 Magnetic proximity sensors

- AVENTICS Series SC4 are Magnetic sensor ideal for use in tight spaces, with shortstroke cylinders and grippers with C-Slot.



Technical data

Industry

Direct mounting for series

Industrial

UPG

RTC

MSN

GPC

MSC

PRA

SSI

TWC

Slot width

4 mm C-slot

Cable

with cable

Type of contact

electronic PNP

Nominal current, actuated state

< 10 mA

Quiescent current (without load)

< 4 mA

Hysteresis

0,4 mT

Certificates

CE declaration of conformity

cULus

	UL (Underwriters Laboratories)
Protection class	IP65 IP67
Min. ambient temperature	-30 °C
Max. ambient temperature	80 °C
Voltage drop U at I _{max}	≤ 2,5 V
DC switching current, max.	0.1 A
Max. switching frequency	1000 Hz
Switching point precision	±0,1 mT
Switching logic	NO (make contact)
LED status display	Yellow
Electrical connection 2, type	open cable ends
Electrical connection 2, number of poles	3-pin
Operating voltage DC, min.	10 V DC
Operating voltage DC, max.	30 V DC
Short circuit resistance	Protected against polarity reversal
Shock resistance	30 g / 11 ms
Vibration resistance	10 - 55 Hz, 1 mm
Cable length L	3 m

Material

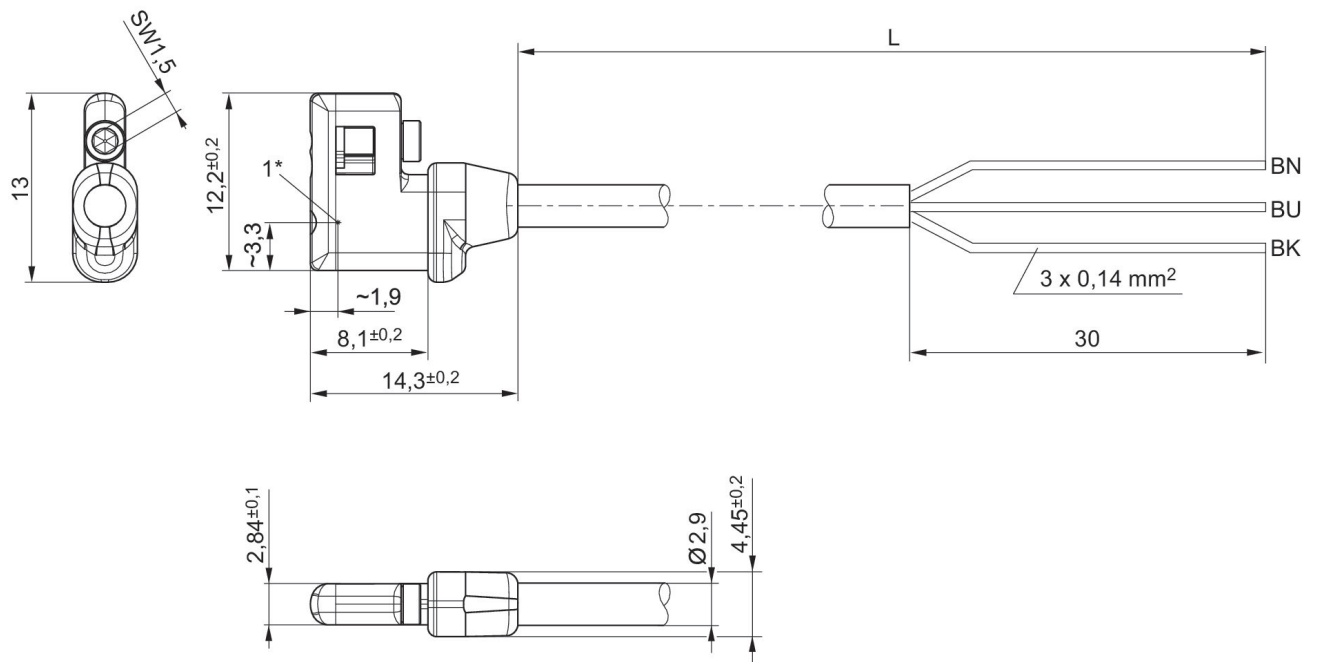
Housing material	Polyamide
Material cable sheath	Polyurethane
Material locking screw	Stainless Steel
Part No.	R412026162

Technical information

The pressure dew point must be at least 15 °C less than ambient and medium temperature and may not exceed 3 °C.

The oil content of compressed air must remain constant during the life cycle.

Use only the approved oils from AVENTICS. Further information can be found in the "Technical information" document (available in <https://www.emerson.com/en-us/support>).



* Switching point
L = cable length