

- Installation of sensors on various cylinder series

## AVENTICS Sensor mountings

AVENTICS Sensors mountings are especially designed to mount AVENTICS sensors on various cylinders.



## Technical data

Industry

Industrial

For series

Archive product: Do not use in new constructions!

Min. ambient temperature

5 °C

Max. ambient temperature

60 °C

Min. cylinder Ø

2.5 mm

Max. cylinder Ø

10 mm

Scope of delivery

1 piece

Weight

0.01 kg

## Material

Housing material

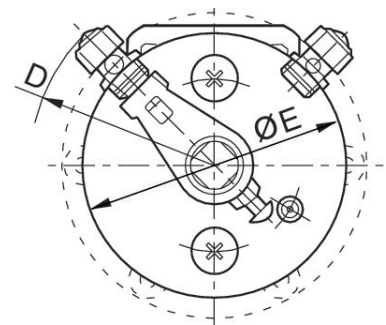
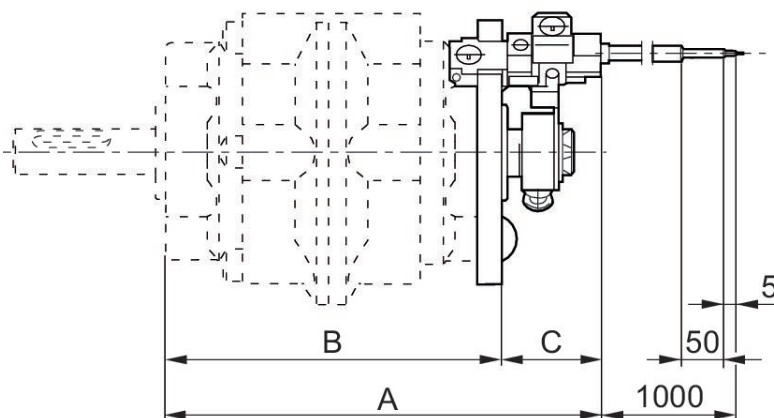
Aluminum

Surface housing

anodized

Part No.

3224170000



# Sensor mounting

3224170000

Series CB1

2024-09-26

---

Part No.	Cylinders Ø	For series	A	B	C	D	E
3224160000	2.5 - 10 mm	RAK - 6S, RAK - 6D	115	87.2	25.5	R47	69
3224170000	2.5 - 10 mm	RAK - 7S, RAK - 7D	131.7	104.2	27.5	R61	97
3224180000	2.5 - 10 mm	RAK - 8S, RAK - 8D	161.2	126.2	35	R69	113