

Sensor mounting, Series CB1

1821205002

General series information
AVENTICS Sensor mountings

- AVENTICS Sensors mountings are especially designed to mount AVENTICS sensors on various cylinders.



Technical data

Industry

Industrial

For series

TRB

TRR

MNI

Cylinders Ø min.

10 mm

Cylinders Ø max.

100 mm

Weight

0.015 kg

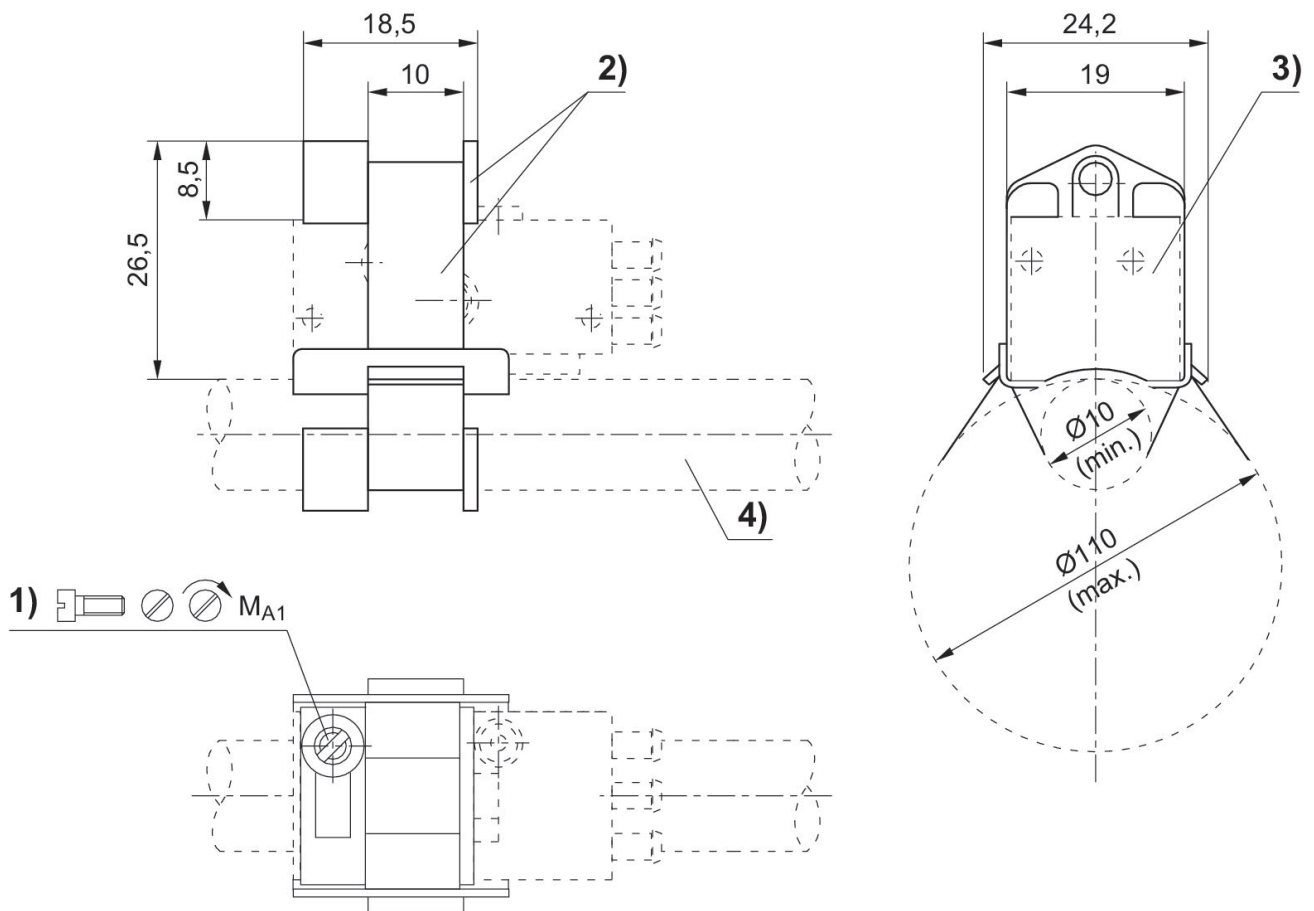
Material

Housing material

Aluminum

Part No.

1821205002



1) Clamping screw 2) Tightening strap with bracket 3) Sensor 4) Cylinder pipe

| Part No. | Cylinders Ø | MA1 [Nm] |
|------------|-------------|----------|
| 1821205002 | 10 - 100 mm | <0,5 |