

AVENTICS Series SGN Flat suction grippers

AVENTICS Series SGN suction cups As a universal gripper, round flat suction cups are the right choice for many standard applications with level, flat workpieces. Series SGN suction cup are especially designed for smooth, and sensitive surfaces.



Technical data

Industry	Industrial
Min. ambient temperature	-10 °C
Max. ambient temperature	70 °C
Temporary ambient temperature (<30 s) min.	-30 °C
Temporary ambient temperature (<30 s) max.	120 °C
Compressed air connection	M5
external diameter	10 mm
Holding force	4 N
Volume	0.065 cm ³
Max. curving on object R min	9 mm
Abrasion value according to DIN 535 16	100-120 mm ³
Hardness according to standard	55 ± 5 Shore A
Connection thread type	External thread
Material connector	Aluminum
Suction unit material	Acrylonitrile butadiene rubber
Delivery unit	1 piece
Weight	0.003 kg
Part No.	2732100000

Technical information

To be used on even, smooth, and sensitive surfaces.

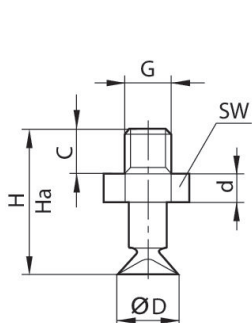
Flat suction gripper, Series SGN

2732100000

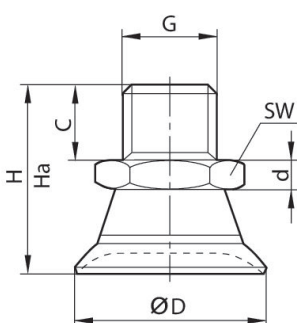
Series SGN

2024-03-04

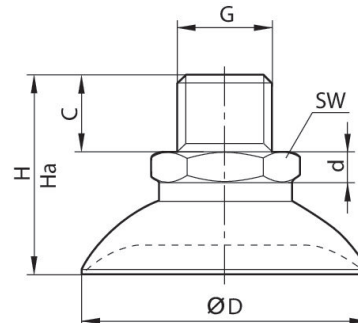
Dimensions



SGN 6, SGN 10, SGN 16



SGN 20, SGN 25



SGN 30

Part No.	ØD	G	H	Ha*)	C	d	SW
2732060000	6.3	M5	15	13.5	4.5	3	8
2732100000	10	M5	20	18	4.5	3	8
2732160000	16	M5	21	17	4.5	3	8

*) Height for vacuum operation

Max. curving on object R min

