

AVENTICS Series SGN Flat suction grippers

AVENTICS Series SGN suction cups As a universal gripper, round flat suction cups are the right choice for many standard applications with level, flat workpieces. Series SGN suction cup are especially designed for smooth, and sensitive surfaces.



Technical data

Industry	Industrial
Min. ambient temperature	-30 °C
Max. ambient temperature	180 °C
Temperature resistance	Heat resistant
Temporary ambient temperature (<30 s) min.	-50 °C
Temporary ambient temperature (<30 s) max.	220 °C
Compressed air connection	M5
external diameter	16 mm
Holding force	8 N
Volume	0.33 cm ³
Max. curving on object R min	12 mm
Abrasion value according to DIN 535 16	100-120 mm ³
Hardness according to standard	55 ± 5 Shore A
Connection thread type	External thread
Material connector	Aluminum
Suction unit material	Fluoromethyl silicone
Delivery unit	1 piece
Weight	0.004 kg
Part No.	2732161000

Technical information

To be used on even, smooth, and sensitive surfaces.

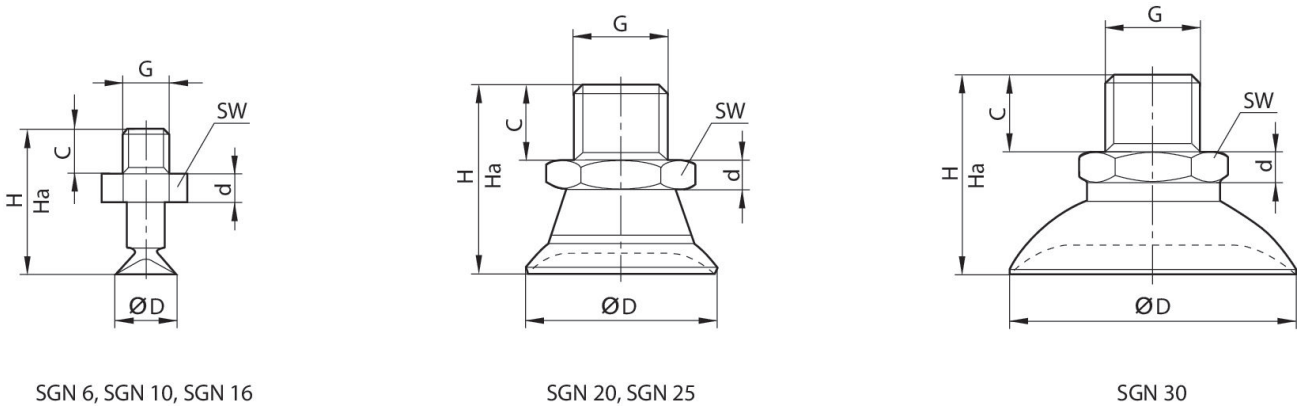
Flat suction gripper, Series SGN

2732161000

Series SGN

2024-03-04

Dimensions



Part No.	ØD	G	H	Ha ^{*)}	C	d	SW
2732061000	6.3	M5	15	13.5	4.5	3	8
2732101000	10	M5	20	18	4.5	3	8
2732161000	16	M5	21	17	4.5	3	8

^{*)} Height for vacuum operation

Max. curving on object R min

