

## AVENTICS Series SGN Flat suction grippers

AVENTICS Series SGN suction cups As a universal gripper, round flat suction cups are the right choice for many standard applications with level, flat workpieces. Series SGN suction cup are especially designed for smooth, and sensitive surfaces.



## Technical data

Industry	Industrial
Min. ambient temperature	-10 °C
Max. ambient temperature	70 °C
Temporary ambient temperature (<30 s) min.	-30 °C
Temporary ambient temperature (<30 s) max.	120 °C
Compressed air connection	M5
external diameter	16 mm
Holding force	8 N
Volume	0.33 cm <sup>3</sup>
Max. curving on object R min	12 mm
Abrasion value according to DIN 535 16	100-120 mm <sup>3</sup>
Hardness according to standard	55 ± 5 Shore A
Connection thread type	External thread
Material connector	Aluminum
Suction unit material	Acrylonitrile butadiene rubber
Delivery unit	1 piece
Weight	0.004 kg
Part No.	2732160000

## Technical information

To be used on even, smooth, and sensitive surfaces.

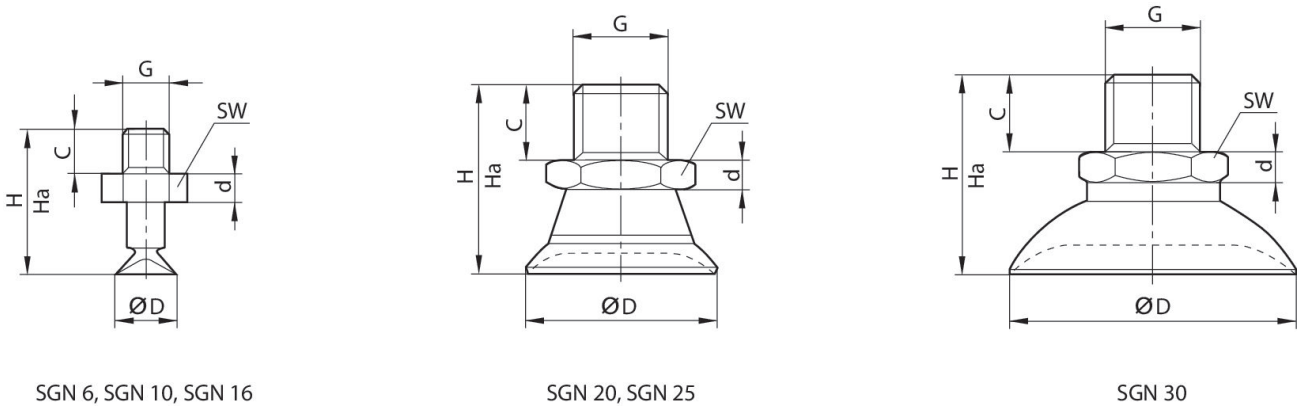
# Flat suction gripper, Series SGN

2732160000

Series SGN

2024-03-04

## Dimensions



Part No.	ØD	G	H	Ha <sup>*</sup>	C	d	SW
2732060000	6.3	M5	15	13.5	4.5	3	8
2732100000	10	M5	20	18	4.5	3	8
2732160000	16	M5	21	17	4.5	3	8

<sup>\*</sup>) Height for vacuum operation

Max. curving on object R min

