

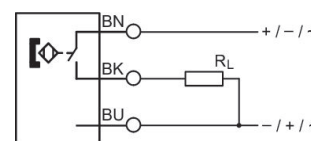
Sensor, Series SN2

0830100466

General series information

AVENTICS Series SN2 Magnetic proximity sensors

- The AVENTICS Series SN2 sensors are compatible with a range of cylinders. With their universal functionality and shape, the sensors of the Series SN2 are found in a variety of industries and applications. With a robust reed sensor they are designed for a wide voltage range of up to 240 VAC.



Technical data

Industry

Indirect mounting for series

Industrial

TRB

PRA

ITS

MNI

CSL-RD

ICM

RPC

TRR

FLT

CVI

Version

With stretched impulse

Type of contact

Reed

Switching capacity

10 W / 10 VA

Protection class

IP67

Min. ambient temperature

-20 °C

Max. ambient temperature

80 °C

Voltage drop U at I_{max}

2,1 V + I*Rs

Protective resistor for reed	100 Ω
DC switching current, max.	0.13 A
AC switching current, max.	0.13 A
Switching point precision	$\pm 0,1$ mT
LED status display	Yellow
Electrical connection 2, type	Plug
Electrical connection 2, thread size	M8
Electrical connection 2, number of poles	2-pin
Operating voltage DC, min.	12 V DC
Operating voltage DC, max.	36 V DC
Operating voltage AC, min.	12 V AC
Operational voltage AC, max.	30 V AC
Short circuit resistance	Protected against polarity reversal
Shock resistance	100 g / 11 ms
Vibration resistance	30 g (50 - 2000 Hz)

Material

Housing material	Polyamide
Part No.	0830100466

Technical information

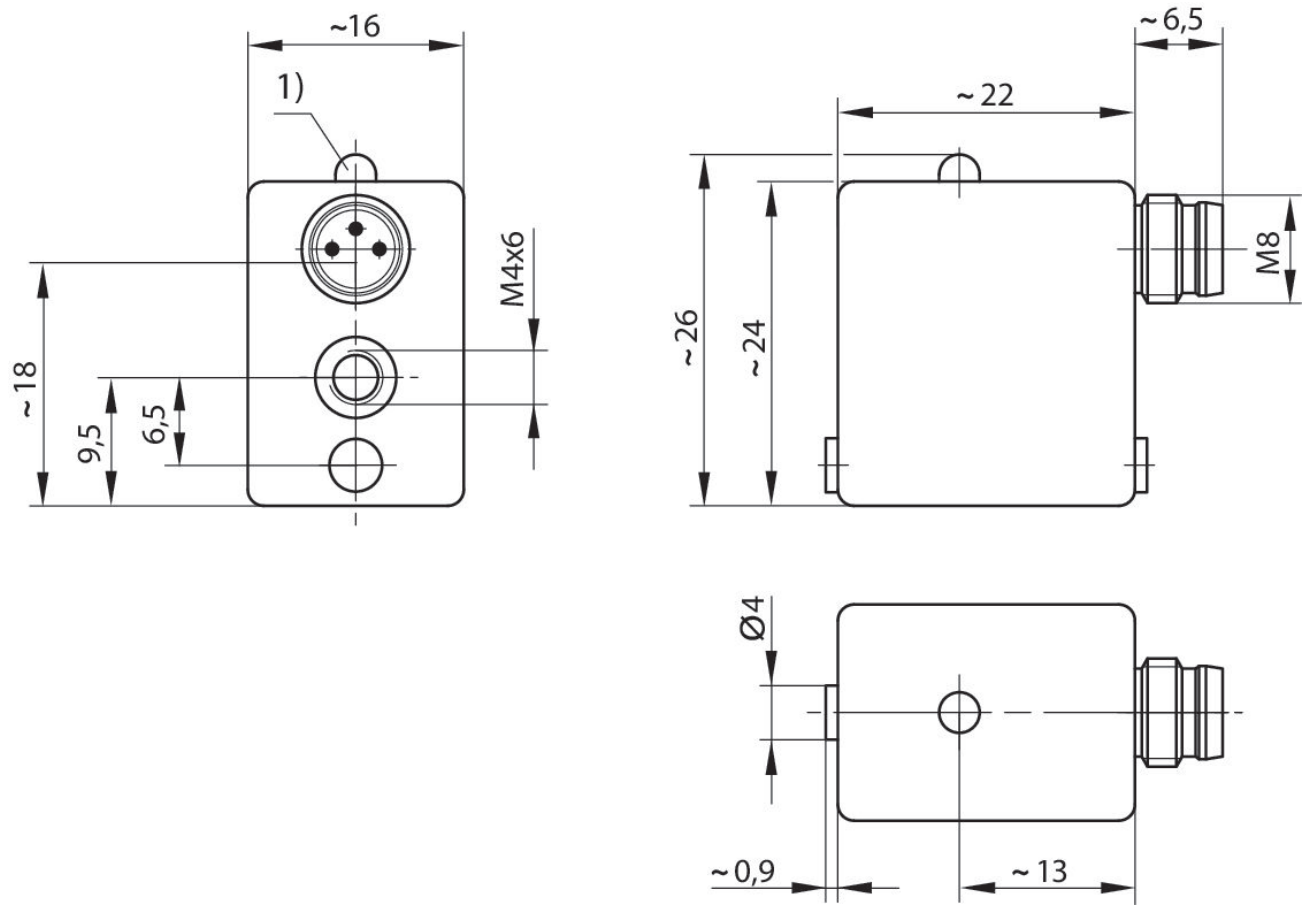
If reed sensors are used, we recommend using a short-circuit protective device (SCPD).

The pressure dew point must be at least 15 °C less than ambient and medium temperature and may not exceed 3 °C.

The oil content of compressed air must remain constant during the life cycle.

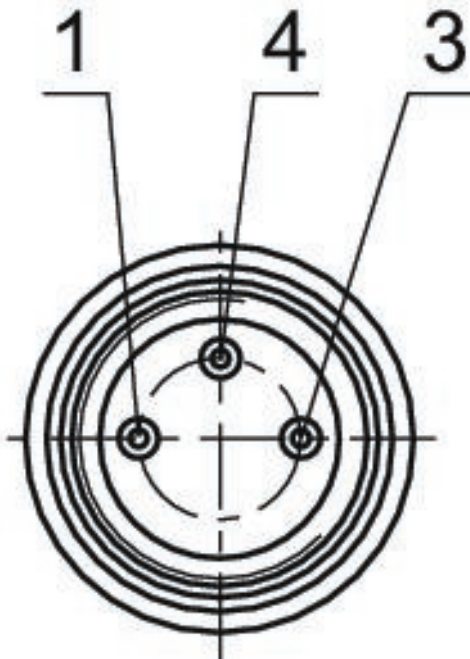
Use only the approved oils from AVENTICS. Further information can be found in the "Technical information" document (available in <https://www.emerson.com/en-us/support>).

Dimensions



1) LED
M8: combination plug can be combined with valve plug connectors $\varnothing 6.5$ mm and M8.

Pin assignment M8x1 (3-pin)



Pin assignments

Pin	Allocation
1	(+)
3	(-)
4	(OUT)