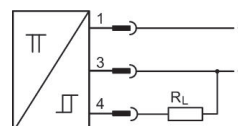


## AVENTICS Series SN5-X Magnetic proximity sensors

AVENTICS Series SN5-X are Magnetic Sensor that responds to ferromagnetic material, Especially designed for Welding applications.



### Technical data

Industry	Industrial
Indirect mounting for series	TRB ITS
Version	Sensor responds to ferromagnetic material. Time delay With stretched impulse
Sensor	With stretched impulse
Type of contact	electronic PNP
Nominal current, actuated state	< 25 mA
Quiescent current (without load)	< 14 mA
Protection class	IP67
Min. ambient temperature	-10 °C
Max. ambient temperature	70 °C
Voltage drop U at I <sub>max</sub>	≤ 2,0 V
Max. DC switching current	0.2 A
Switching point precision	±0,1 mT
Display	LED
LED status display	Yellow
Electrical connection 2, type	Socket
Electrical connection 2, thread size	M12

# Sensor, Series SN5-X

0830100525

Sensors,  
Series SN5-  
X

2023-10-19

Electrical connection 2, number of poles	3-pin
Min. operating voltage DC	15 V DC
Max. operating voltage DC	30 V DC
Short circuit resistance	Protected against polarity reversal

## Material

Housing material	epoxy resin
Part No.	0830100525

## Technical information

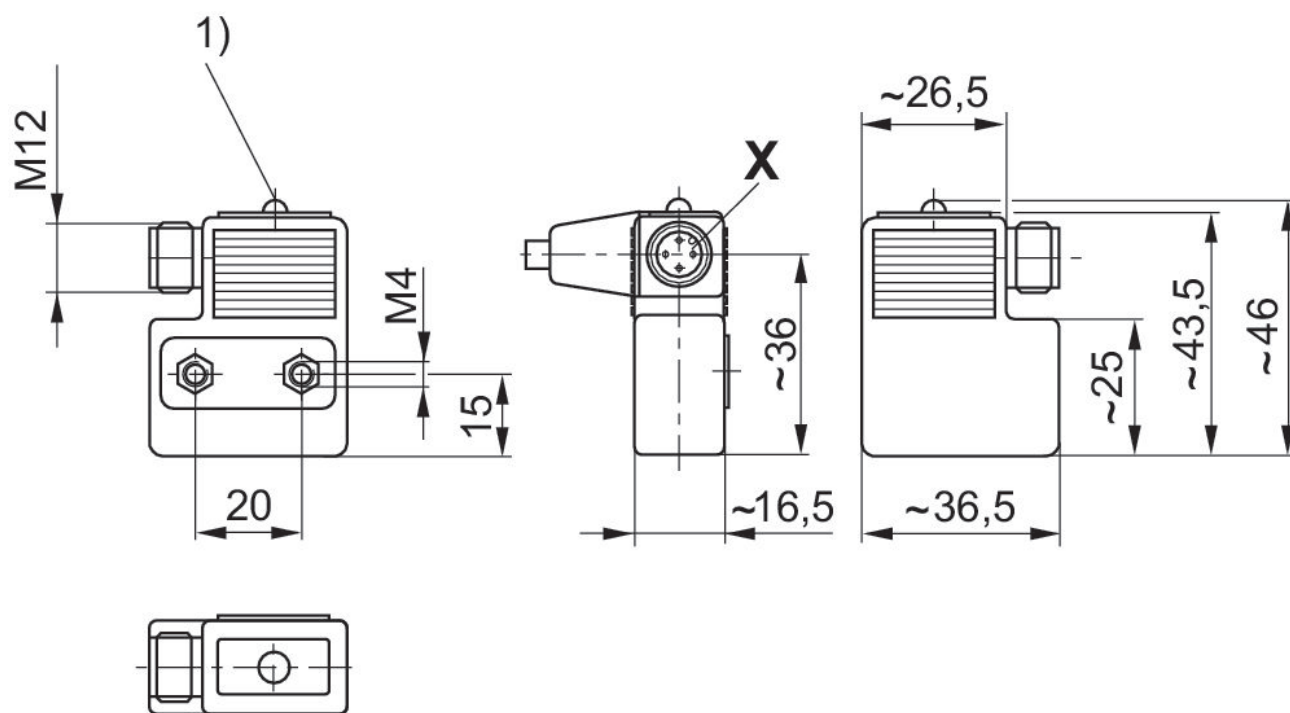
Sensor responds to ferromagnetic material.

The pressure dew point must be at least 15 °C less than ambient and medium temperature and may not exceed 3 °C.

The oil content of compressed air must remain constant during the life cycle.

Use only the approved oils from AVENTICS. Further information can be found in the "Technical information" document (available in <https://www.emerson.com/en-us/support>).

## Dimensions



1) LED

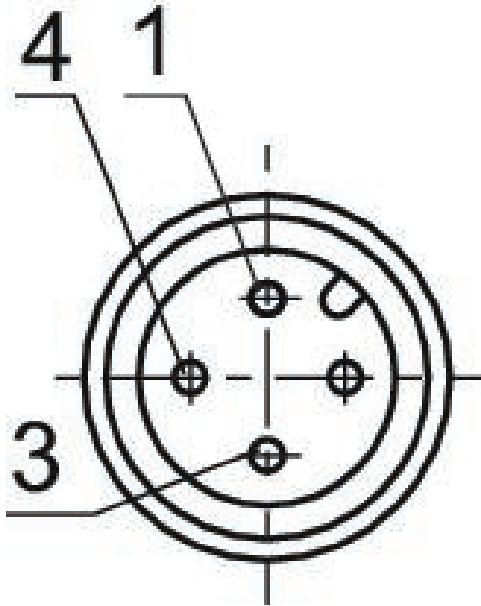
# Sensor, Series SN5-X

0830100525

Sensors,  
Series SN5-  
X

## Pin assignments

2023-10-19



## Pin assignments

Pin	Allocation
1	(+)
3	(-)
4	(OUT)