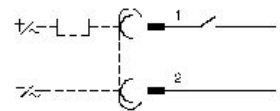


AVENTICS Series SN6 Magnetic proximity sensors

AVENTICS Series SN6 Reed Magnetic sensors that fit with tie rod cylinders, heat and shock resistance make this sensor perfect for demanding applications.



Technical data

Industry	Industrial
Indirect mounting for series	TRB ITS 523
Type of contact	Reed
Switching capacity	60 W / 60 VA
Protection class	IP65
Min. ambient temperature	-25 °C
Max. ambient temperature	75 °C
Max. DC switching current	3 A
Max. AC switching current	3 A
Switching point precision	±0,1 mT
Electrical connection 2, type	Plug
Electrical connection 2, thread size	Form B, industry
Electrical connection 2, number of poles	2-pin
Min. operating voltage DC	10 V DC
Max. operating voltage DC	48 V DC
Min. operating voltage AC	10 V AC
Max. operational voltage AC	48 V AC
Shock resistance	50 g / 11 ms

Sensor, Series SN6

8940410602

Sensors,
Series SN6

2023-10-19

Vibration resistance

35 g (50 - 2000 Hz)

Material

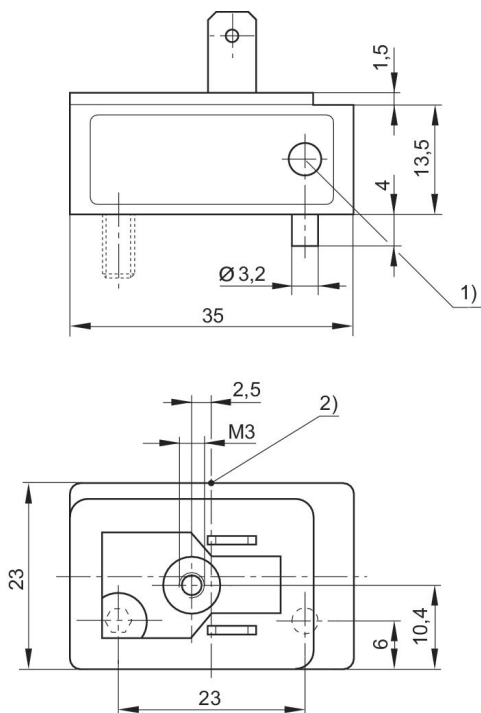
Housing material

Polyester amide

Part No.

8940410602

Dimensions



1) LED

2) Switching point