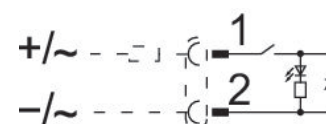


## AVENTICS Series SN6 Magnetic proximity sensors

AVENTICS Series SN6 Reed Magnetic sensors that fit with tie rod cylinders, heat and shock resistance make this sensor perfect for demanding applications.



### Technical data

|  |                                      |
|--|--------------------------------------|
| Industry                                 | Industrial                           |
| Indirect mounting for series             | TRB<br>ITS                           |
| Version                                  | Heat resistant                       |
| Cable                                    | with cable                           |
| Type of contact                          | Reed                                 |
| Switching capacity                       | 50 W / 50 VA                         |
| Protection class                         | IP67<br>IP65                         |
| Min. ambient temperature                 | -25 °C                               |
| Max. ambient temperature                 | 75 °C                                |
| Max. DC switching current                | 0.5 A                                |
| Max. AC switching current                | 0.5 A                                |
| Switching point precision                | ±0,1 mT                              |
| LED status display                       | Yellow                               |
| Electrical connection 2, type            | without wire end ferrule, tin-plated |
| Electrical connection 2, number of poles | 2-pin                                |
| Min. operating voltage DC                | 10 V DC                              |
| Max. operating voltage DC                | 48 V DC                              |
| Min. operating voltage AC                | 10 V AC                              |

# Sensor, Series SN6

8940412022

Sensors,  
Series SN6

2023-10-19

---

|                             |                                     |
|-----------------------------|-------------------------------------|
| Max. operational voltage AC | 48 V AC                             |
| Short circuit resistance    | Protected against polarity reversal |
| Shock resistance            | 50 g / 11 ms                        |
| Vibration resistance        | 35 g (50 - 2000 Hz)                 |
| Cable length L              | 2.5 m                               |

## Material

|                       |                    |
|-----------------------|--------------------|
| Housing material      | Polyester amide    |
| Material cable sheath | Polyvinyl chloride |
| Part No.              | 8940412022         |

## Technical information

The pressure dew point must be at least 15 °C less than ambient and medium temperature and may not exceed 3 °C.

The oil content of compressed air must remain constant during the life cycle.

Use only the approved oils from AVENTICS. Further information can be found in the "Technical information" document (available in <https://www.emerson.com/en-us/support>).

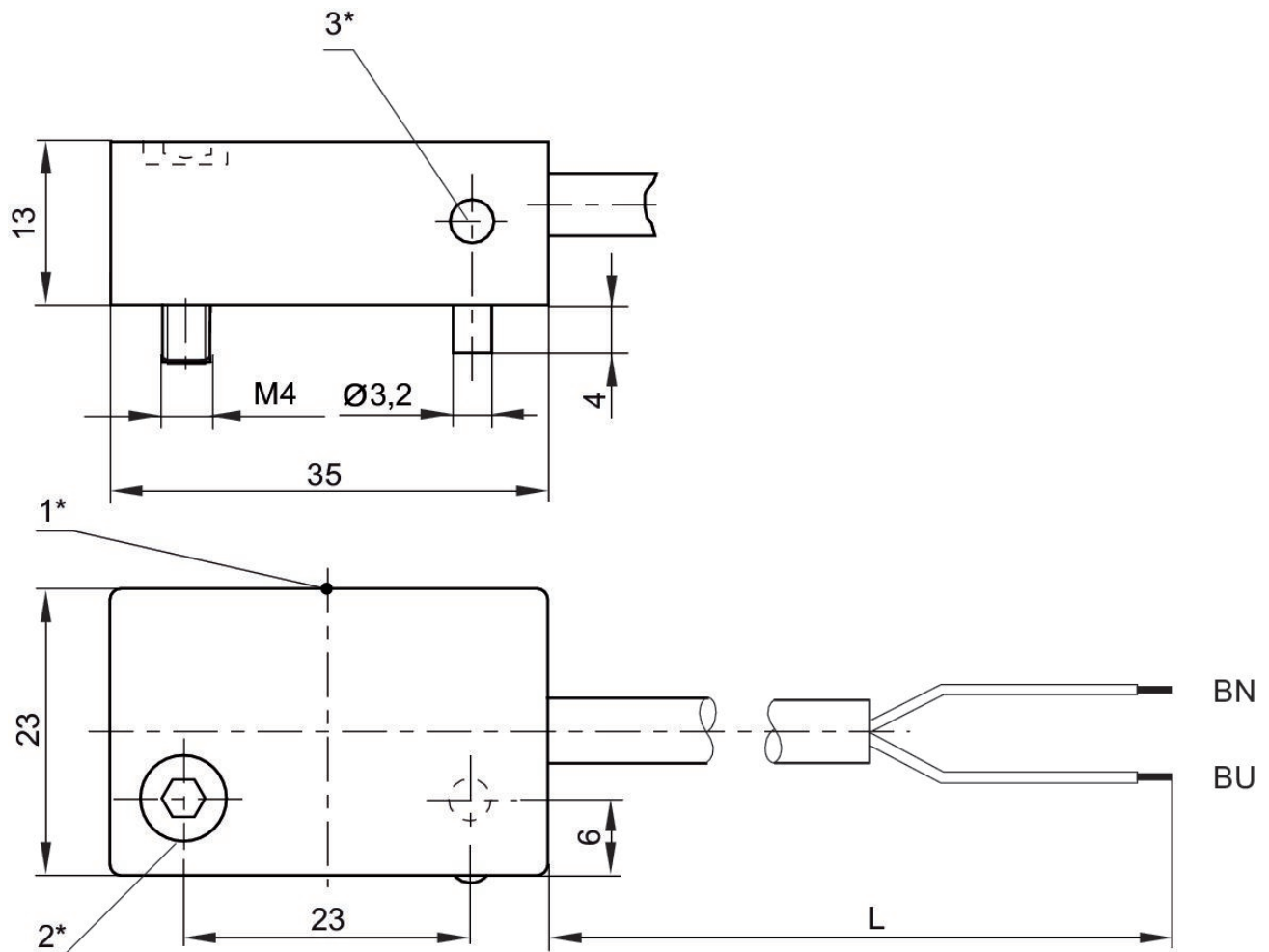
# Sensor, Series SN6

8940412022

Sensors,  
Series SN6

2023-10-19

## Dimensions



1\* = switching point 2\* = clamping screw 3\* = LED  
L = cable length BN=brown, BU=blue