

Ball eye rod end with spherical bearing

R433013001

Ball eye rod
ends

2023-10-06

AVENTICS Ball eye rod ends



Technical data

Industry

Industrial

Material

Part No.

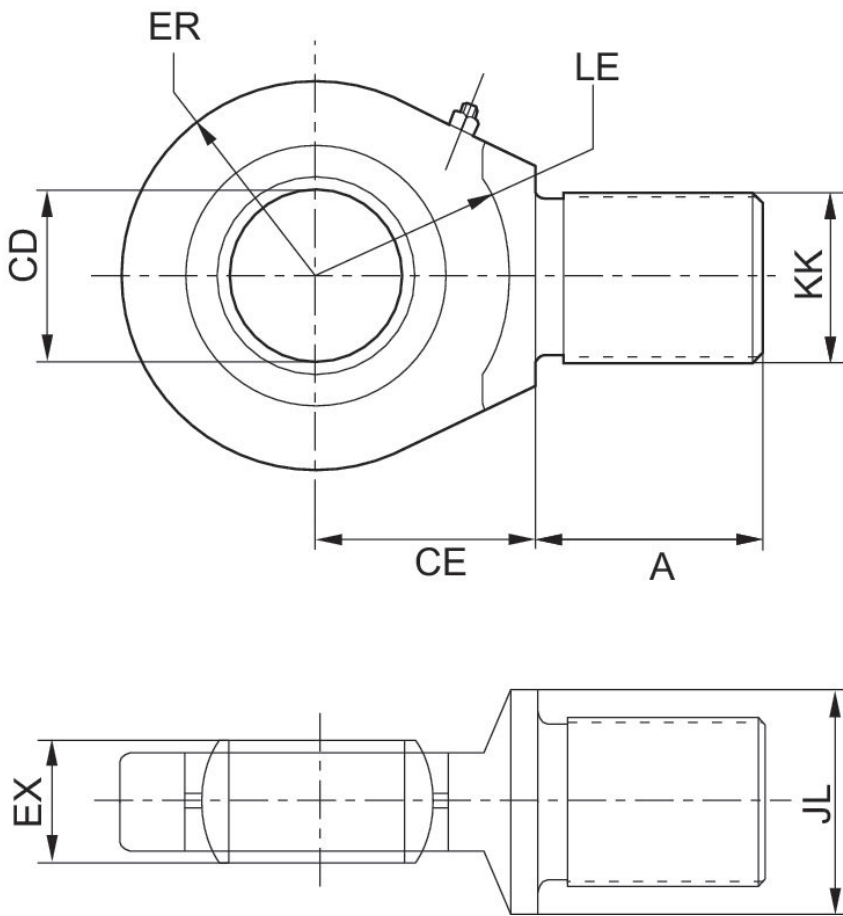
R433013001

Ball eye rod end with spherical bearing

R433013001

Ball eye rod
ends

2023-10-06



Dimensions in inches

	A	JL	CD +0,0000/-0,0005	CF	EX	ER (max.)	LE
R433013001	0.69	0.88	0.5	0.88	0.44	0.88	0.75
R433012998	1	1.31	0.75	1.25	0.66	1.25	1.06
R433012999	1.5	1.5	1	1.88	0.88	1.38	1.44