

Series SPRA Electric Rod-Style Actuators

R481633882

General series information
Series SPRA Electric Rod-Style Actuators

- The AVENTICS Series SPRA electric rod-style actuators are the ideal solution to perform fast and powerful linear movements. They are very flexible, precise and energy efficient, improving sustainability and Total Cost of Ownership (TCO). The modular concept of the Series SPRA enables easy connection to your preferred motor and control system, saving you time and costs on design and programming. The Series SPRA is ISO 15552 compliant and uses high-grade materials such as a IP54S sealing system, ensuring a high level of reliability even in harsh conditions.



Technical data

| | |
|---------------------------|--------------------|
| Industry | Industrial |
| Piston Ø | 100 mm |
| Piston rod thread | M27x2 |
| Max. dynamic axial force | 48 kN |
| Max. static axial force | 60 kN |
| Max. dyn. axial force L10 | 47 kN |
| Dynamic load capacity | 61.5 kN |
| Max. torque (for Fmax) | 90 Nm |
| Max. linear speed | 210 mm/s |
| Max. rotational speed | 1260 1/min |
| Max. acceleration | 6 m/s ² |
| Duty cycle | 100 % |

Mechanical data

| | |
|----------------|------------|
| Screw type | Ball screw |
| Screw diameter | 40 mm |
| Screw lead | 10 mm |
| Lead accuracy | G9 |

| | |
|------------------------------|--|
| Stroke | 900 mm |
| Internal overstroke (double) | 2 mm |
| Backlash | 0.2 mm |
| Efficiency [%] | >85 |
| Inertia at 0 mm stroke | $0.00051 \cdot 10^{-4} \text{ kgm}^2$ |
| Inertia per 100 mm stroke | $0.000144 \cdot 10^{-4} \text{ kgm}^2$ |
| Weight 0 mm stroke | 12.7 kg |
| Weight +100 mm stroke | 2.7 kg |

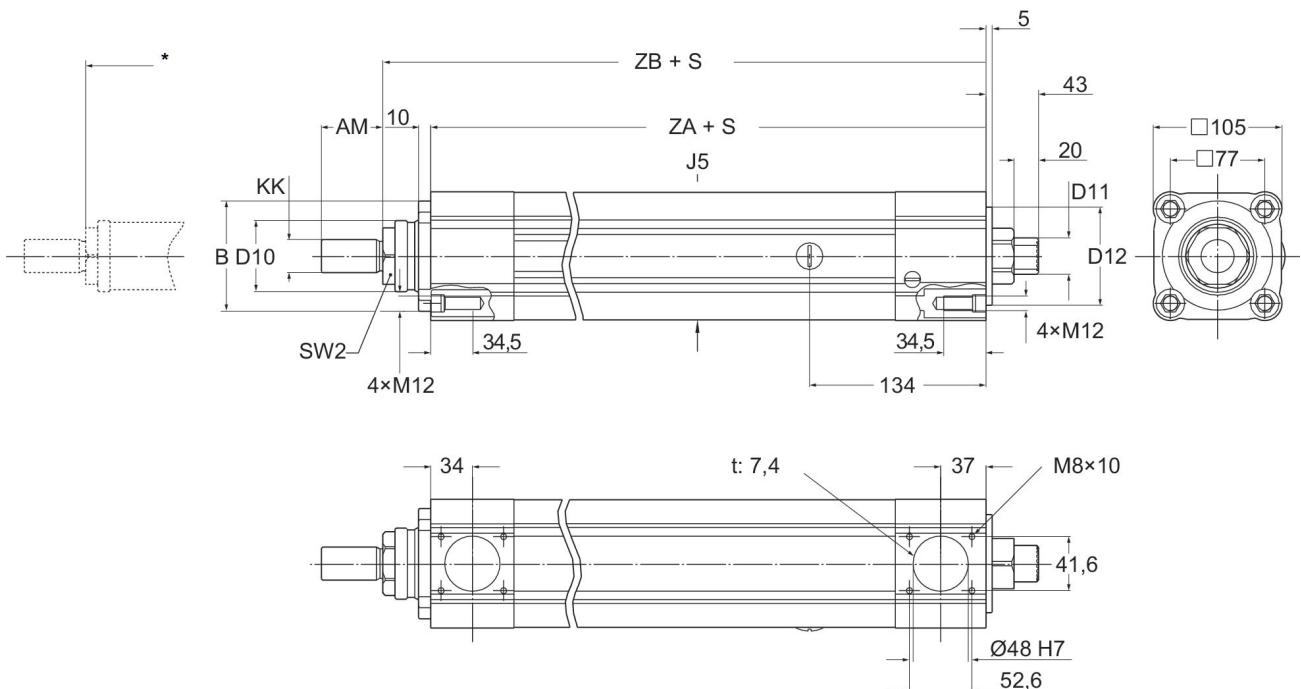
Environmental requirements

| | |
|--------------------------|--------|
| Protection class | IP54S |
| Max. humidity | 95 % |
| Min. ambient temperature | -20 °C |
| Max. ambient temperature | 50 °C |

Material

| | |
|----------|------------|
| Part No. | R481633882 |
|----------|------------|

Dimensions in mm



S = stroke
* Nominal stroke
t = depth

| KK | SW2 | J5 mm | ZA | ZB | B -0,1 / -0,35 | D10 | AM | D12 -0,02 / -0,07 | D11 |
|---------|-------|-------|---------|-------|----------------|-----|----|-------------------|----------------------------|
| M27 x 2 | AF 46 | #104 | 287±1.5 | 326±2 | Ø90 | Ø58 | 50 | Ø80 | DIN5480 W 30x1.25x22x8f |

Pressure characteristics curve

