

Series SPRA Electric Rod-Style Actuators

R481633839

General series information
Series SPRA Electric Rod-Style Actuators

- The AVENTICS Series SPRA electric rod-style actuators are the ideal solution to perform fast and powerful linear movements. They are very flexible, precise and energy efficient, improving sustainability and Total Cost of Ownership (TCO). The modular concept of the Series SPRA enables easy connection to your preferred motor and control system, saving you time and costs on design and programming. The Series SPRA is ISO 15552 compliant and uses high-grade materials such as a IP54S sealing system, ensuring a high level of reliability even in harsh conditions.



Technical data

| | |
|--------------------------|--------------------|
| Industry | Industrial |
| Piston Ø | 63 mm |
| Piston rod thread | M16x1,5 |
| Max. dynamic axial force | 1 kN |
| Max. static axial force | 3.7 kN |
| Max. torque (for Fmax) | 1.63 Nm |
| Max. linear speed | 70 mm/s |
| Max. rotational speed | 1050 1/min |
| Max. acceleration | 1 m/s ² |
| Duty cycle | 60 % |

Mechanical data

| | |
|------------------------------|------------|
| Screw type | Lead screw |
| Screw diameter | 20 mm |
| Screw lead | 4 mm |
| Stroke | 800 mm |
| Internal overstroke (double) | 1 mm |
| Efficiency [%] | 39 |

| | |
|---------------------------|---|
| Inertia at 0 mm stroke | 0.76 *10 ⁻⁴ kgm ² |
| Inertia per 100 mm stroke | 0.0809 *10 ⁻⁴ kgm ² |
| Weight 0 mm stroke | 2.8 kg |
| Weight +100 mm stroke | 0.81 kg |

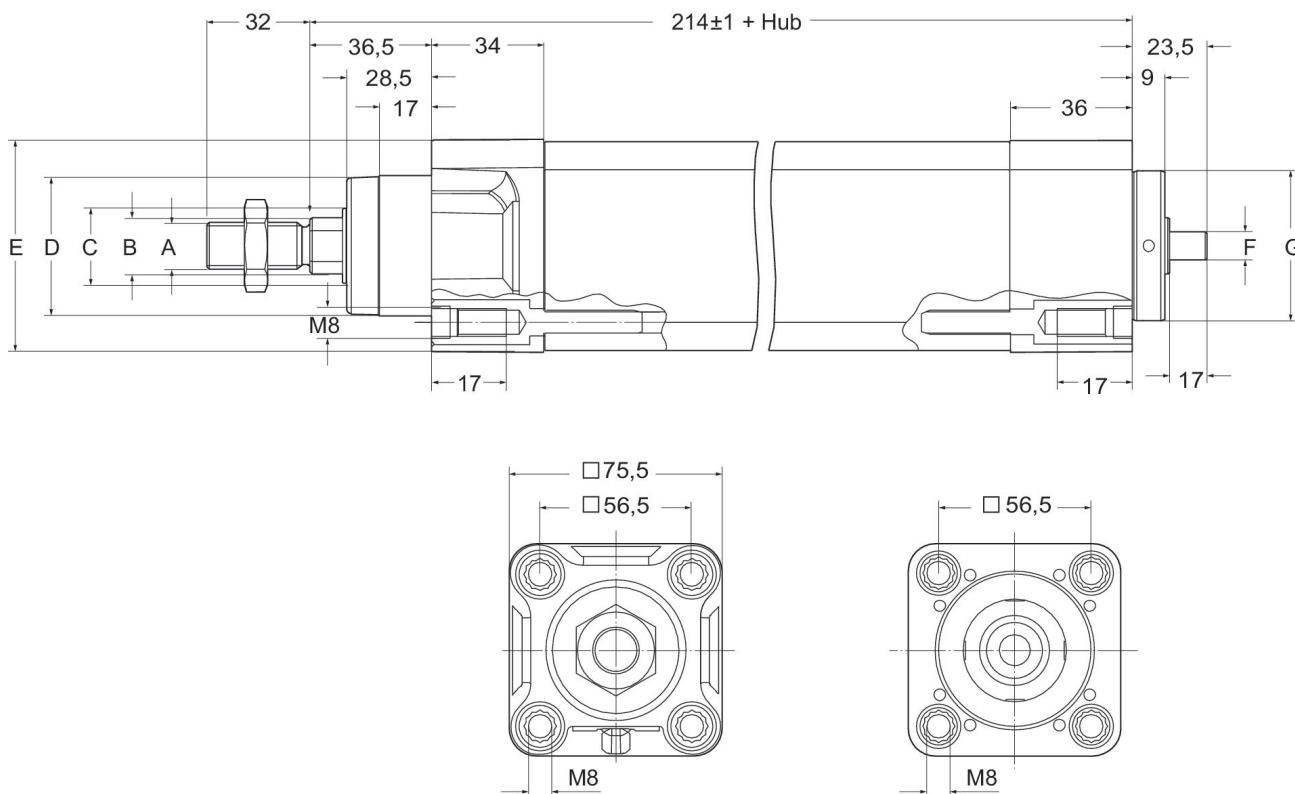
Environmental requirements

| | |
|--------------------------|-----------|
| Standardization | ISO 15552 |
| Protection class | IP54S |
| Max. humidity | 95 % |
| Min. ambient temperature | 0 °C |
| Max. ambient temperature | 50 °C |

Material

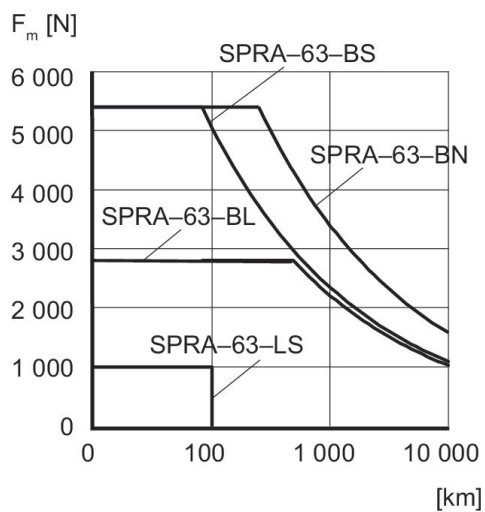
| | |
|----------|------------|
| Part No. | R481633839 |
|----------|------------|

Dimensions in mm

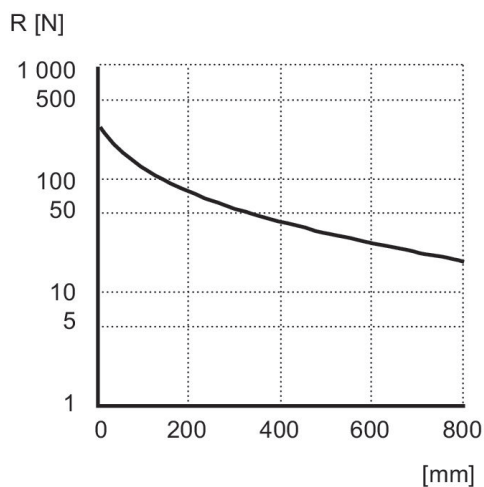


| | A | B mm | C | D | E | F | G -0,05 / -0,08 |
|---------|-----------|------|-----|---------|----|--------|-----------------|
| SPRA-63 | M16 x 1,5 | Ø20 | Ø28 | Ø45 d11 | 75 | Ø12 h6 | Ø60 |

Pressure characteristics curve



Diagram



Diagram

