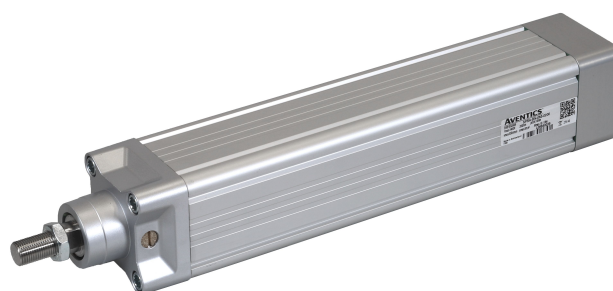


# Series SPRA Electric Rod-Style Actuators

R481633897

General series information  
Series SPRA Electric Rod-Style Actuators

- The AVENTICS Series SPRA electric rod-style actuators are the ideal solution to perform fast and powerful linear movements. They are very flexible, precise and energy efficient, improving sustainability and Total Cost of Ownership (TCO). The modular concept of the Series SPRA enables easy connection to your preferred motor and control system, saving you time and costs on design and programming. The Series SPRA is ISO 15552 compliant and uses high-grade materials such as a IP54S sealing system, ensuring a high level of reliability even in harsh conditions.



## Technical data

Industry	Industrial
Piston Ø	100 mm
Piston rod thread	M27x2
Max. dynamic axial force	82 kN
Max. static axial force	82 kN
Max. dyn. axial force L10	50 kN
Dynamic load capacity	106 kN
Max. torque (for Fmax)	163 Nm
Max. linear speed	890 mm/s
Max. rotational speed	5340 1/min
Max. acceleration	12 m/s <sup>2</sup>
Duty cycle	100 %

## Mechanical data

Screw type	Roller screw
Screw diameter	30 mm
Screw lead	10 mm
Lead accuracy	G5

Stroke	400 mm
Internal overstroke (double)	2 mm
Backlash	0.2 mm
Efficiency [%]	>80
Inertia at 0 mm stroke	$0.00045 \cdot 10^{-4} \text{ kgm}^2$
Inertia per 100 mm stroke	$0.000063 \cdot 10^{-4} \text{ kgm}^2$
Weight 0 mm stroke	12.5 kg
Weight +100 mm stroke	2.4 kg

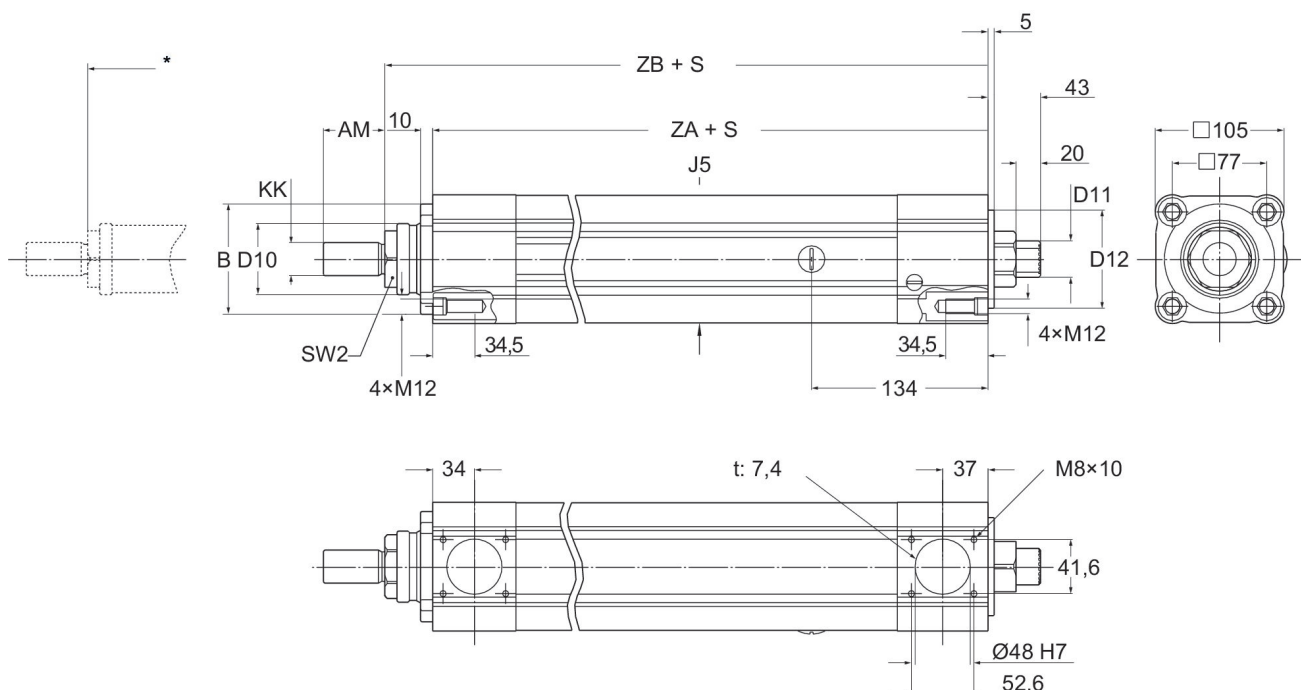
### Environmental requirements

Protection class	IP54S
Max. humidity	95 %
Min. ambient temperature	-10 °C
Max. ambient temperature	50 °C

### Material

Part No.	R481633897
----------	------------

### Dimensions in mm



S = stroke  
\* Nominal stroke  
t = depth

KK	SW2	J5 mm	ZA	ZB	B -0,1 / -0,35	D10	AM	D12 -0,02 / -0,07	D11
M27 x 2	AF 46	#104	287±1.5	326±2	Ø90	Ø58	50	Ø80	DIN5480 W 30x1.25x22x8f

## Pressure characteristics curve

