

Short-stroke cylinder, Series SSI, Double-acting, with magnetic piston, non-rotating

Series SSI

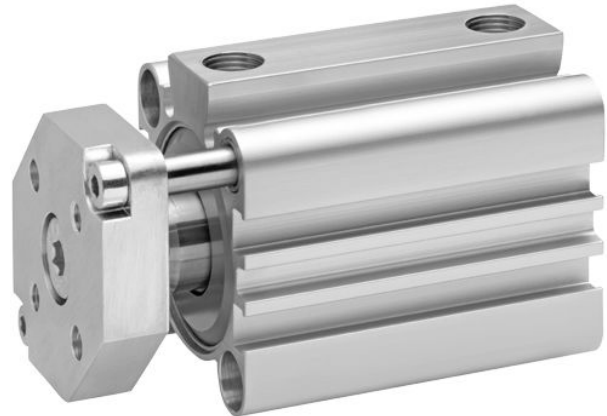
2024-08-09

R480637974

- Ideal for simple assembly and clamping movements, tight installation space, and short strokes
- Mount on moving machine parts possible thanks to their low weight
- Intelligent connection concept
- Available in piston diameters from 12 mm to 100 mm
- Available as piston rod, single or double-acting cylinders, with a hollow piston rod, as a non-rotating version with a front plate, or an especially short version without a magnet

AVENTICS Series SSI Short-stroke cylinders (ISO 15524)

The AVENTICS Series SSI are short stroke cylinders in accordance with the latest ISO standard 15524. The cylinders are compact and up to 30% lighter than comparable cylinders thanks to weight optimized profiles. In addition, they provide a high degree of flexibility in sensor assembly and extremely effective elastic cushioning.



Technical data

| | |
|--|--------------------------------|
| Industry | Industrial |
| Standards | ISO 15524 |
| Piston Ø | 50 mm |
| Stroke | 15 mm |
| Ports | G 1/4 |
| Functional principle | Double-acting |
| Cushioning | Elastic cushioning |
| Magnetic piston | Piston with magnet |
| Environmental requirements | Industry standard |
| Piston rod thread - type | Piston rod: internal thread |
| Piston rod | non-rotating, with front plate |
| Scraper | Standard Industry Scraper |
| Pressure for determining piston forces | 6,3 bar |
| Retracting piston force | 1039 N |
| Extracting piston force | 1237 N |
| Min. ambient temperature | -20 °C |
| Max. ambient temperature | 80 °C |
| Min. working pressure | 0.6 bar |
| Max. working pressure | 10 bar |

Short-stroke cylinder, Series SSI, Double-acting, with magnetic piston, non-rotating

Series SSI

2024-08-09

R480637974

| | |
|------------------------------------|---------------------|
| Impact energy | 0.32 J |
| Weight 0 mm stroke | 0.547 kg |
| Weight +10 mm stroke | 0.07 kg |
| Stroke max. | 150 mm |
| Medium | Compressed air |
| Min. medium temperature | -20 °C |
| Max. medium temperature | 80 °C |
| Max. particle size | 50 µm |
| Min. oil content of compressed air | 0 mg/m ³ |
| Max. oil content of compressed air | 5 mg/m ³ |

Material

| | |
|-----------------------|-----------------|
| Piston rod | Stainless Steel |
| Scraper material | Polyurethane |
| Seal material | Polyurethane |
| Material, front cover | Aluminum |
| Cylinder tube | Aluminum |
| End cover | Aluminum |
| Front plate | Aluminum |
| Guide rod | Stainless Steel |
| Part No. | R480637974 |

Technical information

The pressure dew point must be at least 15 °C less than ambient and medium temperature and may not exceed 3 °C.

The oil content of compressed air must remain constant during the life cycle.

Use only the approved oils from AVENTICS. Further information can be found in the “Technical information” document (available in <https://www.emerson.com/en-us/support>).

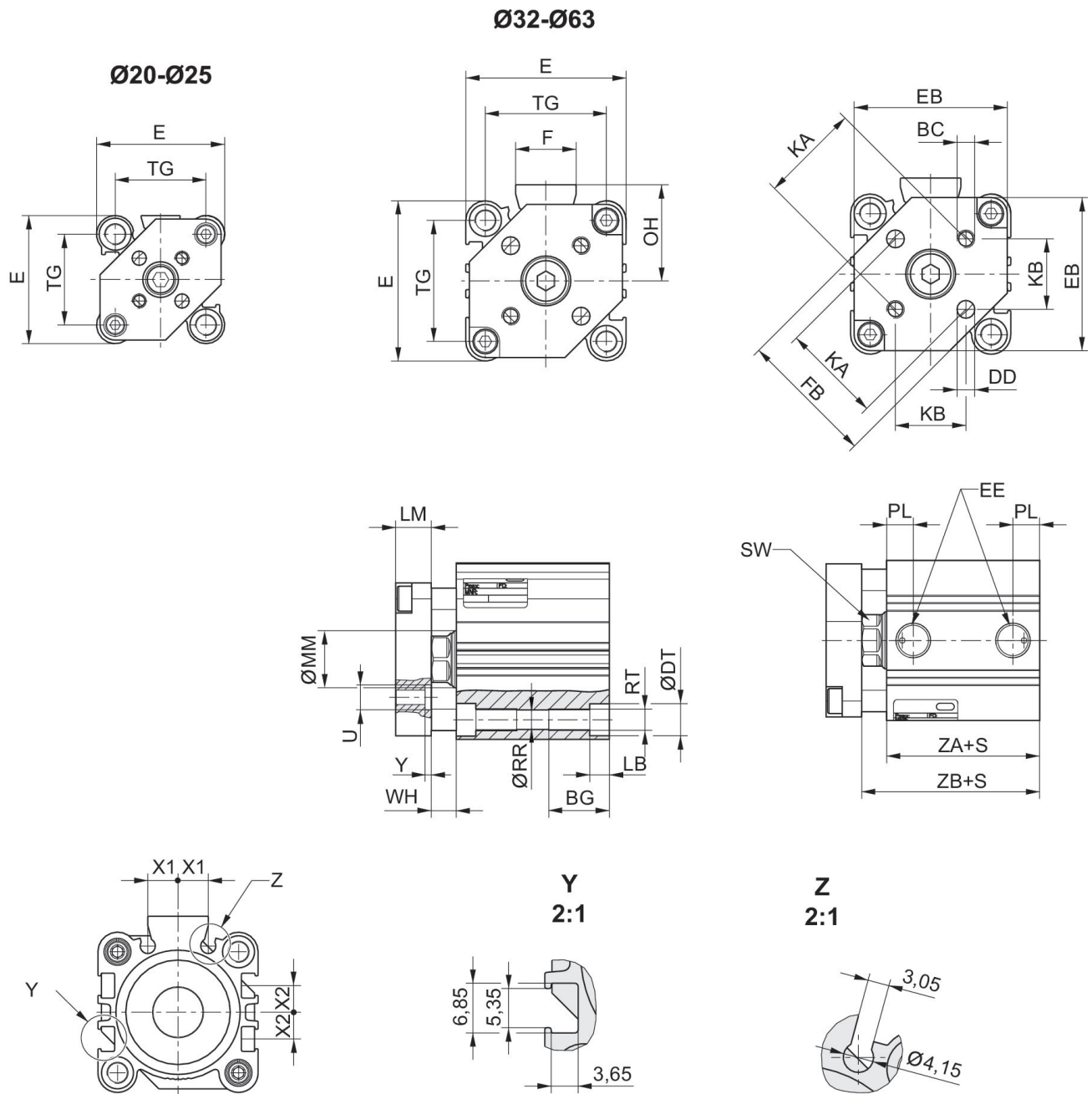
Short-stroke cylinder, Series SSI, Double-acting, with magnetic piston, non-rotating

Series SSI

2024-08-09

R480637974

Dimensions



S = stroke

| Piston Ø | BC | BG | ØDD H13 | ØDT | E | EB | EE | F | FB |
|----------|----|----|---------|-----|----|----|-------|----|----|
| 20 | M4 | 16 | 4 | 9 | 36 | 34 | M5 | - | 26 |
| 25 | M5 | 16 | 5 | 9 | 40 | 38 | M5 | - | 30 |
| 32 | M5 | 16 | 5 | 9 | 45 | 43 | G 1/8 | 17 | 38 |
| 40 | M5 | 16 | 5 | 9 | 52 | 50 | G 1/8 | 17 | 46 |
| 50 | M6 | 20 | 6 | 11 | 64 | 62 | G 1/4 | 21 | 58 |
| 63 | M6 | 25 | 6 | 14 | 77 | 74 | G 1/4 | 21 | 69 |

Short-stroke cylinder, Series SSI, Double-acting, with magnetic piston, non-rotating

Series SSI

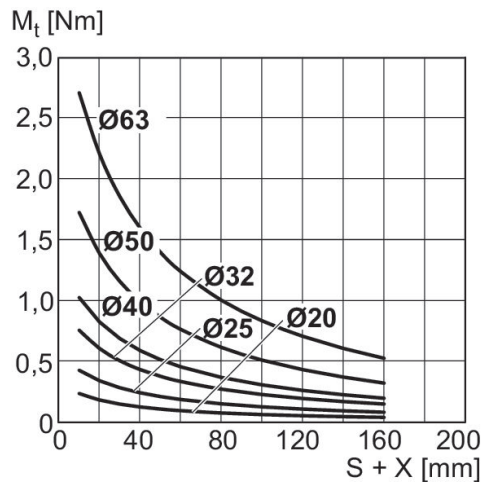
2024-08-09

R480637974

| Piston Ø | KA | KB | LB max. | LM | ØMM f8 | OH | PL | ØRR | RT |
|----------|---------|-----------|---------|----|--------|------|------|------|-----|
| 20 | 17 ±0,1 | 12 ±0,1 | 5,5 | 8 | 10 | - | 5,5 | 5,55 | M6 |
| 25 | 22 ±0,1 | 15,6 ±0,1 | 5,5 | 8 | 12 | - | 5,5 | 5,55 | M6 |
| 32 | 28 ±0,2 | 19,8 ±0,2 | 5,5 | 10 | 16 | 27 | 7,5 | 5,55 | M6 |
| 40 | 33 ±0,2 | 23,3 ±0,2 | 5,5 | 10 | 16 | 31 | 7,5 | 5,55 | M6 |
| 50 | 42 ±0,2 | 29,7 ±0,2 | 8 | 12 | 20 | 39 | 10,5 | 7,4 | M8 |
| 63 | 50 ±0,2 | 35,4 ±0,2 | 10,5 | 12 | 20 | 45,5 | 10,5 | 9,3 | M10 |

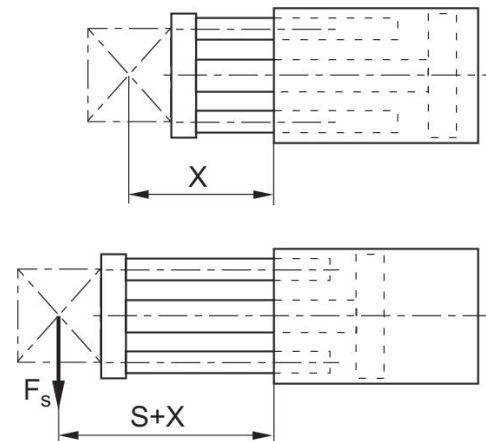
| Piston Ø | SW | TG | WH | X1 | X2 | ZA±0,2 | ZB±2 |
|----------|----|-----------|----------|------|-----|--------|------|
| 20 | 8 | 25,5 ±0,3 | 4,5 ±1,5 | 5,7 | 4,3 | 29,5 | 34 |
| 25 | 10 | 28 ±0,3 | 5 ±1,5 | 6 | 5 | 32,5 | 37,5 |
| 32 | 13 | 34 ±0,3 | 7 ±2 | 8,5 | 7,5 | 33 | 40 |
| 40 | 13 | 40 ±0,3 | 7 ±2 | 10,8 | 11 | 39,5 | 46,5 |
| 50 | 17 | 50 ±0,5 | 8 ±2 | 14 | 13 | 40,5 | 48,5 |
| 63 | 17 | 60 ±0,5 | 8 ±2 | 17 | 17 | 46 | 54 |

Max. permissible torque, Dynamic



X = distance between force application point and cylinder cover
M = max. permissible torque
S = stroke

Maximum admissible lateral force dynamic



X = distance between force application point and cylinder cover
 F_s = lateral force
S = stroke

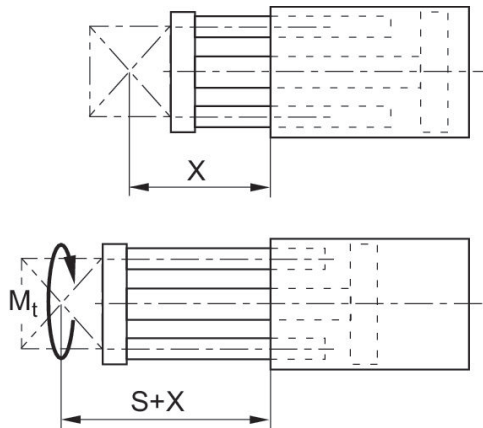
Short-stroke cylinder, Series SSI, Double-acting, with magnetic piston, non-rotating

Series SSI

2024-08-09

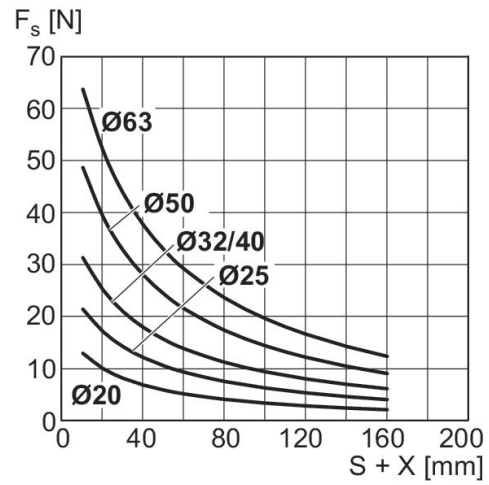
R480637974

Max. permissible torque, Dynamic



X = distance between force application point and cylinder cover
M = max. permissible torque
S = stroke

Maximum admissible lateral force dynamic



X = distance between force application point and cylinder cover
 F_s = lateral force
S = stroke

Short-stroke cylinder, Series SSI, Double-acting, with magnetic piston, non-rotating

Series SSI

2024-08-09

R480637974
Overview drawing



Use our Internet configurator to order variants with an external thread.

NOTE: This overview drawing is only for orientation to indicate where the various accessory parts can be fastened to the cylinder. The illustration has been simplified for this purpose. It is thus not possible to derive the dimensions from this overview.