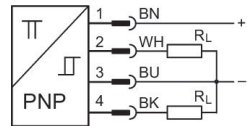


- Suitable for 4 mm C-nut
- Mounting from above in the nut ("drop-in" mounting)
- Robust housing
- LED for indicating the output state
- Combined mounting screw with hexagon socket and slotted screw
- Precise, reliable and flexible



Sensors, Series ST4-2P

The AVENTICS Series ST4-2P sensors make it possible to measure any two switching points in a 50 mm range using just one sensor in a 4 mm C-slot. As a result, there is no need to install a second sensor, making the process easier, faster and more precise. Assembly and cabling effort are also halved. A serial interface is provided for diagnosis and configuration.

Technical data

Industry	Industrial
Direct mounting for series	PRA SSI RTC GPC MSC MSN RCM CVI
Indirect mounting for series	MNI CSL-RD ICM
Slot width	4 mm C-slot
Version	2 switching points
number of switching points	2
Cable	with cable
Switch descr.	electronic PNP
Min. operating voltage DC	12 V DC
Max. operating voltage DC	30 V DC
Hysteresis	1 mT
Certificates	RoHS
Protection class	IP67
Min. ambient temperature	-20 °C
Max. ambient temperature	75 °C
Max. detection range	50 mm
Voltage drop U at I _{max}	≤ 2,2 V
Switching logic	NO (make contact)

Sensors, Series ST4-2P, with cable, plug M8x1

ST4-2P

R412010140

2024-10-02

Display	2 LED
Display	LED
LED status display	Yellow
Electrical connection 2, type	Plug
Electrical connection 2, thread size	M8x1
Electrical connection 2, number of poles	4-pin
Short circuit resistance	short circuit resistant Protected against polarity reversal
Shock resistance	30 g / 11 ms
Vibration resistance	10 - 55 Hz, 1 mm
Cable length L	0.3 m
Mounting screw	with hexagon socket

Material

Housing material	Polyamide
Material cable sheath	Polyurethane
Part No.	R412010140

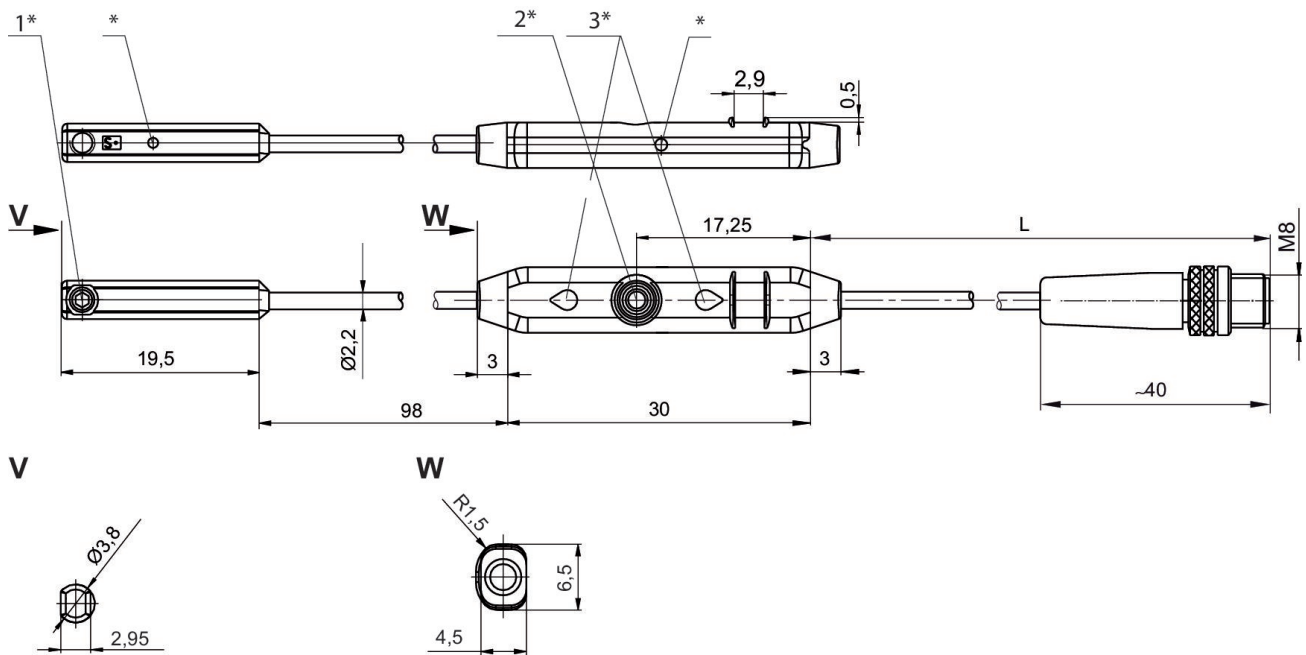
Technical information

The pressure dew point must be at least 15 °C less than ambient and medium temperature and may not exceed 3 °C.

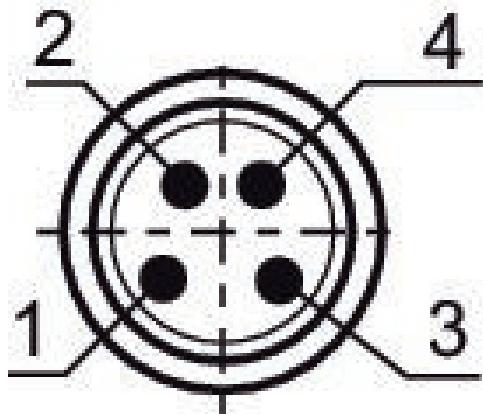
The oil content of compressed air must remain constant during the life cycle.

Use only the approved oils from AVENTICS. Further information can be found in the "Technical information" document (available in <https://www.emerson.com/en-us/support>).

Dimensions



1* = mounting screw 2* = teach button 3* = LED
 L = cable length
 * Switching point



Pin assignments

Pin	Allocation
1	(+)
2	(OUT)
3	(-)
4	(OUT)