

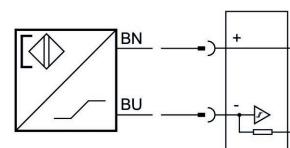
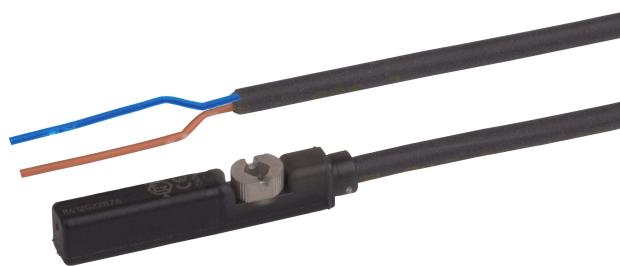
Sensor, Series ST6

R412027174

General series information

AVENTICS Series ST6 Magnetic proximity sensors

- The AVENTICS Series ST6 sensors are suitable for mounting in the 6 mm T-slot as well as sensor mounting to the cylinder. They are suited for mounting to all AVENTICS round cylinders, tie rod cylinders, and profile cylinders. With their optimized, compact shape, the sensors can be flush-fit into existing slots and integrated into any machine environment, even with sensor mounting. Retaining ribs on the side of the sensor enable simple mounting, including in hard-to-reach locations or for overhead assembly. The durable mounting screw holds the sensor in the desired position and can withstand shocks or vibrations.



Technical data

Industry

Direct mounting for series

Indirect mounting for series

Industrial

PRA
PRE
CCI
KPZ
SSI
GPC
CVI
TRB
ITS
CCL-IS
MNI
CSL-RD
RPC
ICS-D2
ICM
KHZ
TRR

Slot width	6 mm T-slot
Cable	with cable
Certificates	ATEX CE declaration of conformity cULus RoHS UL (Underwriters Laboratories)
Protection class	IP67
Min. ambient temperature	-25 °C
Max. ambient temperature	80 °C
Max. switching frequency	1000 Hz
Electrical connection 2, type	Wire end clips
Electrical connection 2, number of poles	2-pin
Operating voltage DC, max.	8.2 V DC
Shock resistance	30 g / 11 ms
Vibration resistance	10 - 55 Hz, 1 mm
Cable length L	5 m

Material

Housing material	Polyamide fiber-glass reinforced
Material cable sheath	Polyurethane
Material locking screw	Stainless Steel
Part No.	R412027174

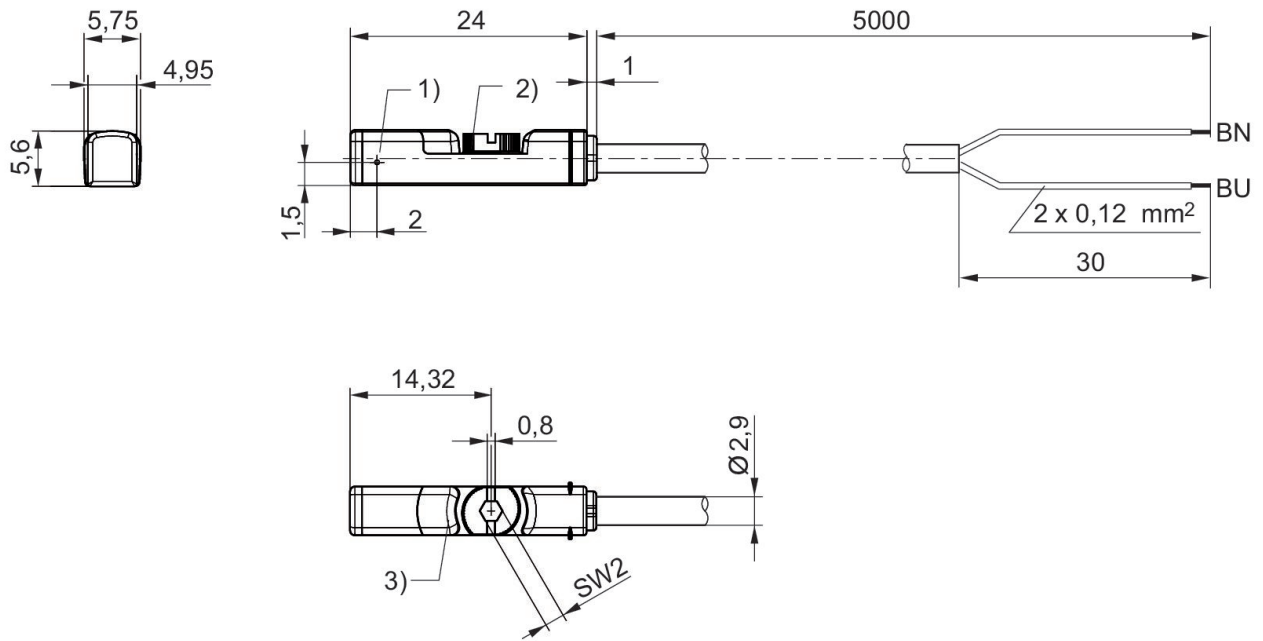
Technical information

The pressure dew point must be at least 15 °C less than ambient and medium temperature and may not exceed 3 °C.

The oil content of compressed air must remain constant during the life cycle.

Use only the approved oils from AVENTICS. Further information can be found in the "Technical information" document (available in <https://www.emerson.com/en-us/support>).

Dimensions in mm



- 1) Switching point
 - 2) Locking screw
 - 3) LED window, transparent
- BN = brown, BU = blue