

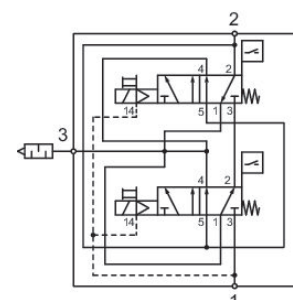
3/2 directional safety valve, Series SV01

R412027208

General series information

AVENTICS Series SV01/03/05 Safety valves

- The AVENTICS Series SV01/03/05 double valves are redundant 3/2 and 5/2 valves for external monitoring that are designed to meet the needs and requirements of safe air supply and exhaust 3/2 valves and safe cylinder return 5/2 valves applications for machinery with pneumatic controls according to the requirements of ISO 13849-1-2 for safety functions.
- According to ISO 13849-1, Cat. 4, PL e



Technical data

Industry

Activation

Switching principle

Compressed air connection output

DC operating voltage

Voltage tolerance DC

Actuating control

Sealing principle

Pilot

Standards

Valve type

Industrial

Electrically

3/2

G 1/8

24 V

-10% / +10%

Single Solenoid

soft seal

Internal

ISO 13849-1, category 4, performance level: e
(possible)

Double spool valve

Return	With spring return
Compressed air connection input	G 1/8
Power consumption DC	1.5 W
Working pressure min. internal	3 bar
Working pressure max. internal	10 bar
Working pressure min. external	0 bar
Working pressure max. external	10 bar
Control pressure min.	3 bar
Control pressure max.	10 bar
Min. ambient temperature	4 °C
Max. ambient temperature	50 °C
Min. medium temperature	4 °C
Max. medium temperature	50 °C
Medium	Compressed air
Max. particle size	5 µm
Oil content of compressed air min.	0 mg/m ³
Oil content of compressed air max.	5 mg/m ³
Connector standard	EN 175301-803, form C
Nominal flow Qn 1 to 2	710 l/min
Nominal flow Qn 2 to 3	1400 l/min
Protection class with connection	IP65
Duty cycle	100 %
Typ. switch-on time	23 ms
Typ. switch-off time	45 ms
Type sensor	PNP
Electrical connection for sensor	Plug
Sensor port size	M8
Sensor number of poles	3-pin
Weight	1.25 kg
Housing material	Die-cast aluminum
Seal material	Acrylonitrile butadiene rubber
Part No.	R412027208

Technical information

silencer (not included in scope of delivery)

The min. control pressure must be adhered to, since otherwise faulty switching and valve failure may result!

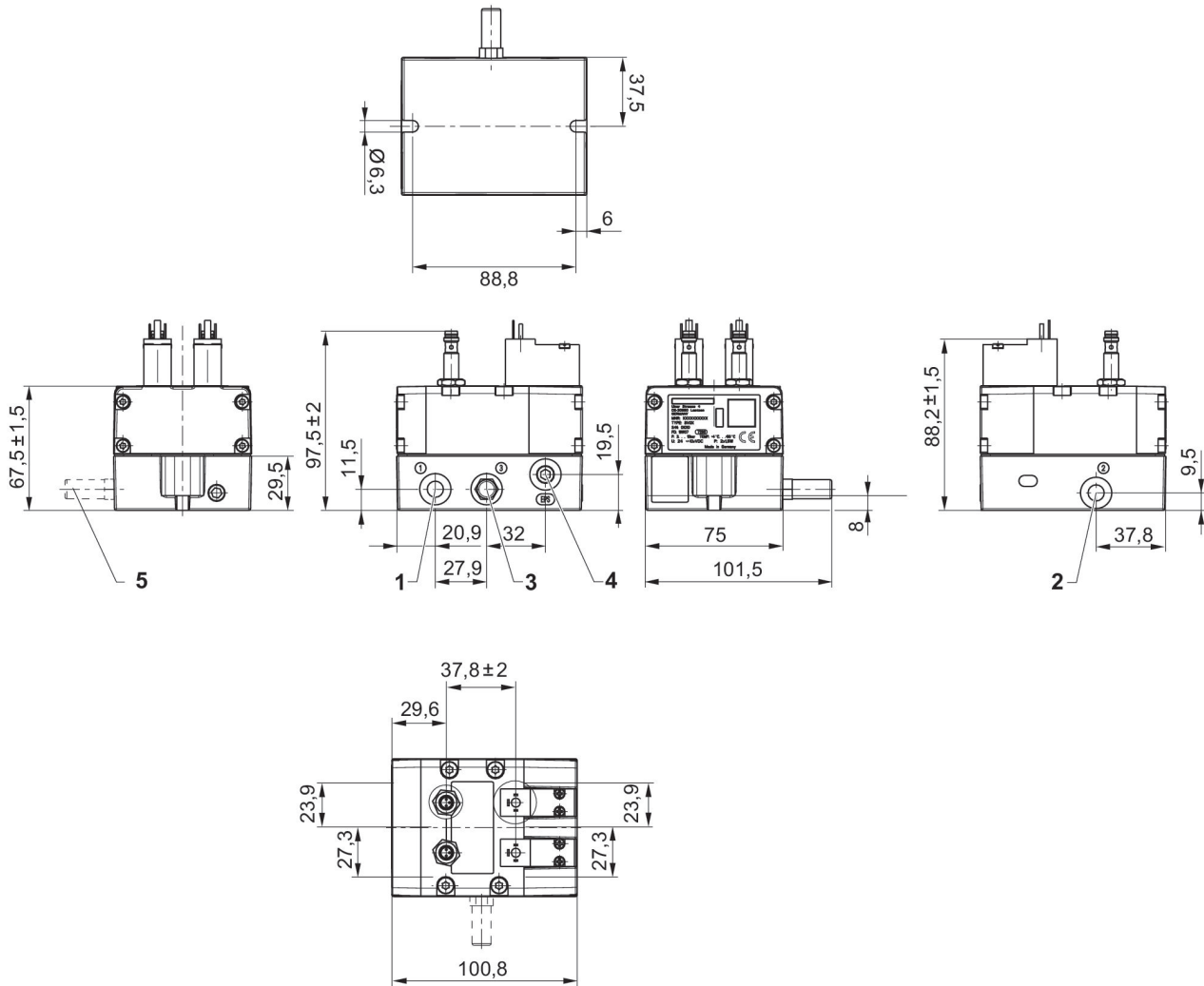
The pressure dew point must be at least 15 °C less than ambient and medium temperature and may not exceed 3 °C.

The oil content of compressed air must remain constant during the life cycle.

Use only the approved oils from AVENTICS. Further information can be found in the "Technical information" document (available in <https://www.emerson.com/en-us/support>).

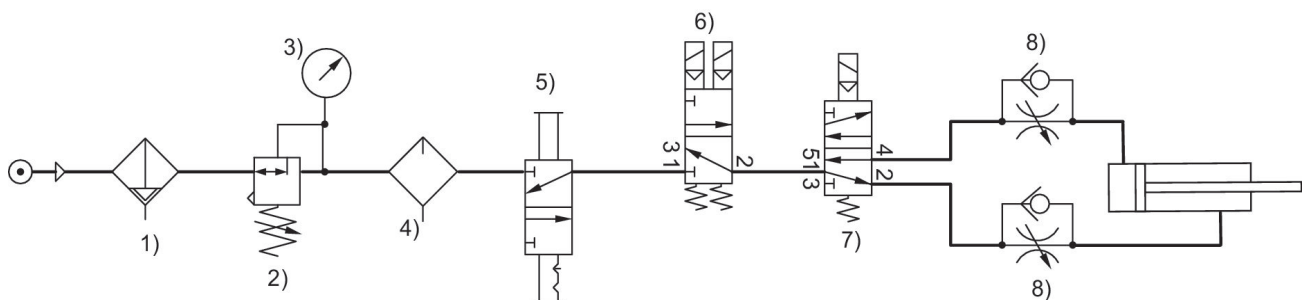
Directional safety valve series SV is delivered and configured for internal control pressure. It can easily be converted to external control pressure. Please refer to the operating instructions. The control pressure must be > 3 bar.

Dimensions



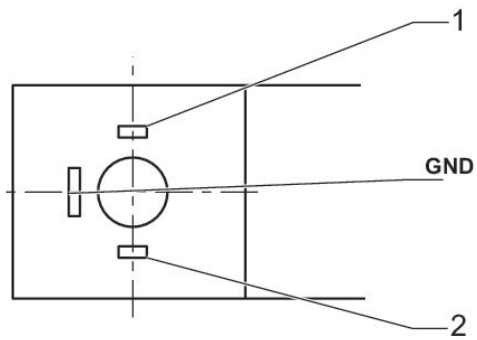
- 1) Port 1 (Input)
- 2) Port 2 (Working pressure)
- 3) Port 3 (Exhaust)
- 4) External pilot G1/8
- 5) silencer (not included in scope of delivery)

Safe air supply and exhaust via 3/2 directional valve



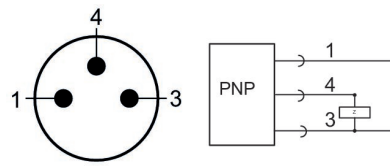
- 1) Filter 2) Pressure regulator 3) Pressure gauge 4) Lubricator 5) Lockout valve 6) Safety exhaust valve, SV series 7) 5/2 pilot valve 8) Check-choke valve

Valve plug connector form C



- 1) + 24 / 0 VDC
- 2) 0 / + 24 VDC

PIN assignment sensor, plug M8 3-pin



- 1) + 20 ... + 28 VDC
- 3) 0 VDC
- 4) OUT