

5/2 directional safety valve, Series SV03

R412027215

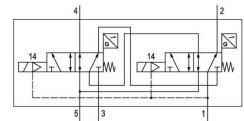
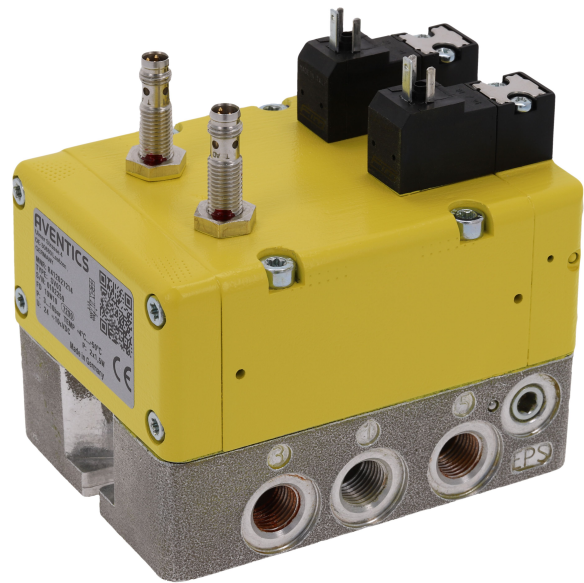
Series
SV03

2024-11-21

- Rapid response for minimum actuating time
- Position sensors for valve fault monitoring
- Pressure range from 3 - 10 bar
- Internal and external pilot supply as standard
- Category 4 performance level "e" according to ISO 13849-1

AVENTICS Safety valves

AVENTICS dual valves are redundant 3/2 valves for external monitoring that meet the needs and requirements of safe 3/2 valves for the pressurization and exhaust of machines with pneumatic controls in accordance with the ISO 13849-1-2 requirements for safety functions. According to ISO 13849-1, Cat. 4, PL e



Technical data

Industry	Industrial
Activation	Electrically
Switching principle	5/2
Compressed air connection output	1/4 NPT
Operational voltage DC	24 V
Voltage tolerance DC	-10 % / +10 %
Actuating control	Double Solenoid
Sealing principle	Soft seal
Pilot	Internal
Certificates	DGUV Test cCSAus
Standards	ISO 13849-1, category 4, performance level: e (possible)
Valve type	Double spool valve
Return	With spring return
Compressed air connection input	1/4 NPT
Power consumption DC	1.5 W
Min. working pressure internal	3 bar
Max. working pressure internal	10 bar
Min. working pressure external	0 bar

5/2 directional safety valve, Series SV03

Series
SV03

R412027215

2024-11-21

Max. working pressure external	10 bar
Min. ambient temperature	4 °C
Max. ambient temperature	50 °C
Min. medium temperature	4 °C
Max. medium temperature	50 °C
Medium	Compressed air
Max. particle size	5 µm
Min. oil content of compressed air	0 mg/m ³
Max. oil content of compressed air	5 mg/m ³
Connector standard	EN 175301-803, form C
Nominal flow Qn 1 to 2	1300 l/min
Nominal flow Qn 1 to 4	990 l/min
Nominal flow Qn 2 to 3	900 l/min
Nominal flow Qn 4 to 5	1160 l/min
Protection class with connection	IP65
Duty cycle	100 %
Typ. switch-on time	35 ms
Typ. switch-off time	80 ms
Max. current consumption	23 mA
Type sensor	PNP
Electrical connection for sensor	Plug
Sensor port size	M8
Sensor number of poles	3-pin
Weight	1.64 kg
Housing material	Die-cast aluminum
Seal material	Acrylonitrile butadiene rubber
Part No.	R412027215

Technical information

Silencer not included in scope of delivery

The min. control pressure must be adhered to, since otherwise faulty switching and valve failure may result!

The pressure dew point must be at least 15 °C less than ambient and medium temperature and may not exceed 3 °C.

The oil content of compressed air must remain constant during the life cycle.

Use only the approved oils from AVENTICS. Further information can be found in the “Technical information” document (available in <https://www.emerson.com/en-us/support>).

Directional safety valve series SV is delivered and configured for internal control pressure. It can easily be converted to external control pressure. Please refer to the operating instructions. The control pressure must be > 3 bar.

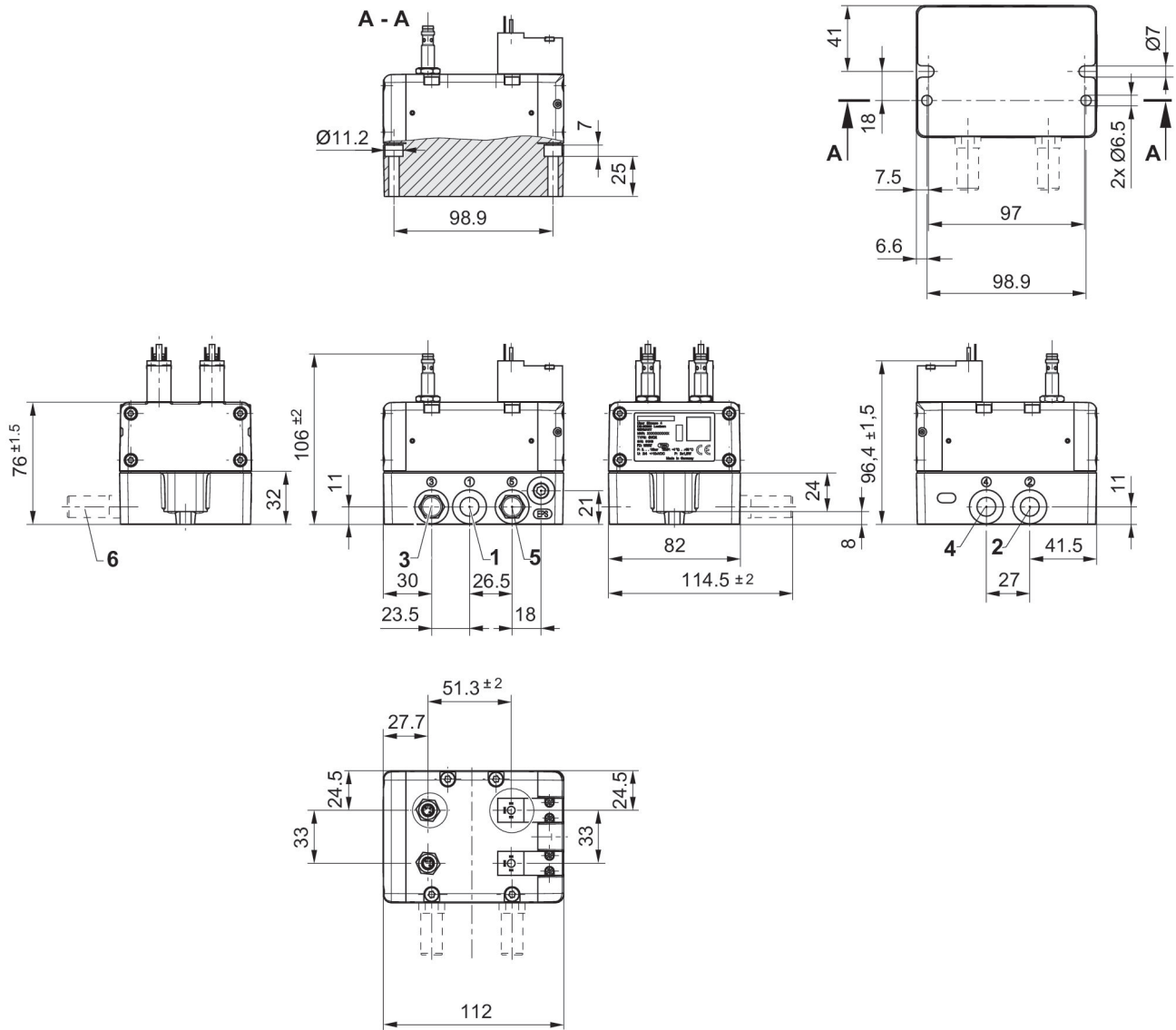
5/2 directional safety valve, Series SV03

R412027215

Series
SV03

2024-11-21

Dimensions



- 1) Port 1 (Input)
- 2) Port 2 (Output)
- 3) Port 3 (Exhaust)
- 4) Port 4 (Output)
- 5) Port 5 (Exhaust)
- 6) Silencer not included in scope of delivery

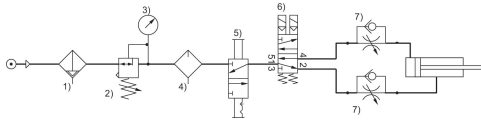
5/2 directional safety valve, Series SV03

Series
SV03

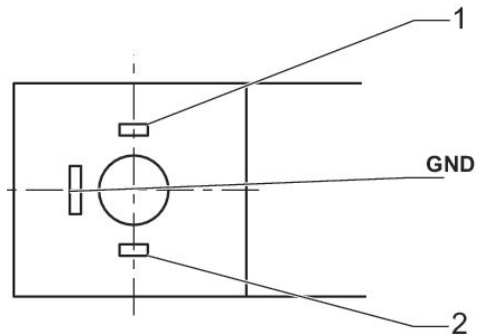
R412027215

2024-11-21

Safe air supply and cylinder return via 5/2 directional valve
Valve plug connector form C

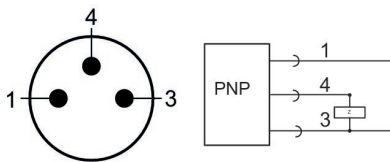


1) Filter 2) Pressure regulator 3) Pressure gauge 4) Lubricator 5) Lockout valve 6) Safety valve, Series SV 7) Check-choke valve



1) + 24 / 0 VDC
2) 0 / + 24 VDC

PIN assignment sensor, plug M8
3-pin



1) + 20 ... + 28 VDC
3) 0 VDC
4) OUT