

2x3/2-directional valve, Series TC08, with detent, inch

R422102133

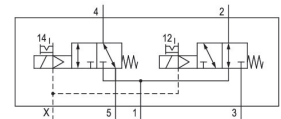
Series
TC08

2024-08-06

- Excellent ratio of installation space and flow rate
- Large selection of electrical connections
- Electrical or pneumatic operated
- Long service life
- Adjustable coil with four 90° positions

AVENTICS Series TC08 Directional valves

The AVENTICS Series TC08/TC15 includes a wide range of spool valves with housings made of high-performance polymers with robust and flexible metal inserts. It is designed for flow rate performances from 800 to 1500 l/min. These directional valves are easy to assemble, making them ideal for applications requiring the highest efficiency in limited spaces.



Technical data

Industry	Industrial
Activation	Electrically
Valve type	Spool valve, positive overlapping
Switching principle	2x 3/2 NC/NO, with spring return
Valve function	NC/NO
Actuating control	Double Solenoid
Sealing principle	Soft seal
Connection type	Plate connection Pipe connection
Manual override	with detent
Compressed air connection output	1/8-27 NPTF
Nominal flow Qn	600 l/min
Flow conductance b	0.27
Flow conductance C	2.8 l/(s*bar)
Min. working pressure	-0.9 bar
Max. working pressure	10 bar

2x3/2-directional valve, Series TC08, with detent, inch

Series
TC08

2024-08-06

R422102133

Min. control pressure 2.5 bar

Max. control pressure 10 bar

Electrical connection type Plug
Electrical connection size ISO 15217, form C
Connector standard ISO 15217
Protection class with connection IP65
Operational voltage 24 V DC
Operational voltage DC 24 V
Voltage tolerance DC -10 % / +10 %

Pilot External
Coil width 15.6 mm
Pilot valve width 15 mm
Power consumption DC 2 W
Nominal resistance 280 Ω

Duty cycle 100 %
Typ. switch-on time 10 ms
Typ. switch-off time 14 ms
Generic emission standard in accordance with EN 50081-2:1993
Generic immunity standard in accordance with EN 50082-2

Blocking principle Plate principle
Can be assembled into blocks Can be assembled into blocks
Min. ambient temperature -10 °C
Max. ambient temperature 50 °C
Min. medium temperature -10 °C
Max. medium temperature 50 °C
Medium Compressed air
Min. oil content of compressed air 0 mg/m³
Max. oil content of compressed air 5 mg/m³
Max. particle size 5 μm

Mounting screw tightening torque 2.5 Nm
Weight 0.166 kg

Material

Housing material Polyamide fiber-glass reinforced

2x3/2-directional valve, Series TC08, with detent, inch

Series
TC08

2024-08-06

R422102133

Seal material	Acrylonitrile butadiene rubber
	Polyurethane
Material threaded bushing	Brass
	Die cast zinc
Material front plate	Polyamide fiber-glass reinforced

Part No. R422102133

Technical information

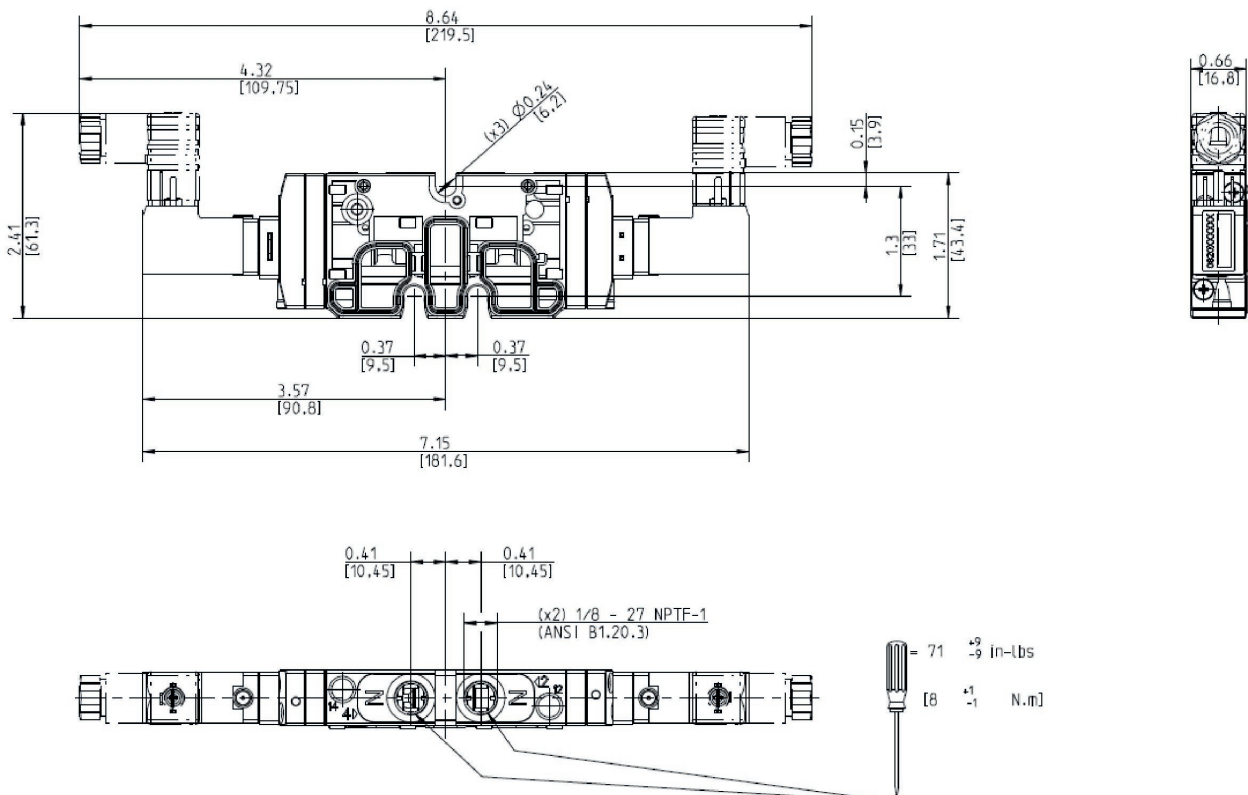
The min. control pressure must be adhered to, since otherwise faulty switching and valve failure may result!

The pressure dew point must be at least 15 °C less than ambient and medium temperature and may not exceed 3 °C.

The oil content of compressed air must remain constant during the life cycle.

Use only the approved oils from AVENTICS. Further information can be found in the "Technical information" document (available in <https://www.emerson.com/en-us/support>).

Dimensions



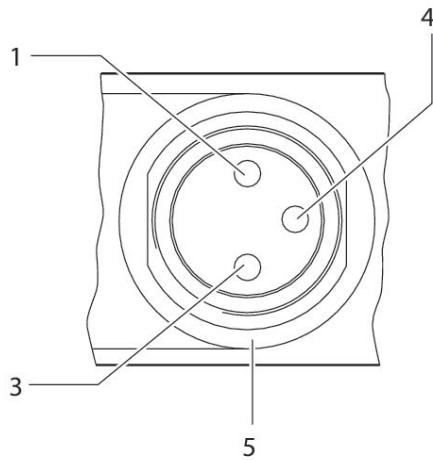
2x3/2-directional valve, Series TC08, with detent, inch

Series
TC08

2024-08-06

R422102133

PIN assignment and cable colors for
valve plug connectors



PIN assignment: 1) PIN not assigned 2) 0 V 3) 24 V 4) LED Cable color 1) Brown 2) Blue 3) Black

Note: Bi-polar protective circuit to prevent overvoltage