

5/2-directional valve, Series TC08, without detent

0820060361

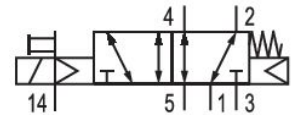
Series
TC08

2024-10-17

- Excellent ratio of installation space and flow rate
- Large selection of electrical connections
- Electrical or pneumatic operated
- Long service life
- Adjustable coil with four 90° positions

AVENTICS Series TC08 Directional valves

The AVENTICS Series TC08/TC15 includes a wide range of spool valves with housings made of high-performance polymers with robust and flexible metal inserts. It is designed for flow rate performances from 800 to 1500 l/min. These directional valves are easy to assemble, making them ideal for applications requiring the highest efficiency in limited spaces.



Technical data

Industry	Industrial
Activation	Electrically
Valve type	Spool valve, positive overlapping
Switching principle	5/2, with spring/air spring return
Actuating control	single
Sealing principle	Soft seal
Connection type	Pipe connection
Manual override	without detent
Compressed air connection input	G 1/8
Compressed air connection output	G 1/8
Compressed air connection, exhaust	G 1/8
Nominal flow Qn	800 l/min
Flow conductance b	0.36
Flow conductance C	3.5 l/(s*bar)
Min. working pressure	-0.9 bar
Max. working pressure	10 bar

5/2-directional valve, Series TC08, without detent

Series
TC08

0820060361

2024-10-17

Min. control pressure	3 bar
Max. control pressure	10 bar
Electrical connection type	Plug
Electrical connection size	M8
Electrical connection number of poles	4-pin
Connector standard	DIN EN 60947-5-2
Protection class acc. to DIN EN 61140	Class III
Protection class with connection	IP65
Operational voltage	24 V DC
Operational voltage DC	24 V
Voltage tolerance DC	-10 % / +10 %
Pilot	External
Coil width	15.6 mm
Pilot valve width	15 mm
LED status display	Yellow
Power consumption DC	2.2 W
Nominal resistance	280 Ω
Duty cycle	100 %
Typ. switch-on time	14 ms
Typ. switch-off time	17 ms
Min. ambient temperature	-10 °C
Max. ambient temperature	50 °C
Min. medium temperature	-10 °C
Max. medium temperature	50 °C
Medium	Compressed air
Min. oil content of compressed air	0 mg/m ³
Max. oil content of compressed air	5 mg/m ³
Max. particle size	5 μm
Mounting on manifold strip	P-strip
Mounting screw tightening torque	2 Nm
Weight	0.14 kg

Material

Housing material Polyamide fiber-glass reinforced

5/2-directional valve, Series TC08, without detent

Series
TC08

0820060361

2024-10-17

Seal material	Acrylonitrile butadiene rubber Polyurethane
Material threaded bushing	Brass Die cast zinc
Material front plate	Polyamide fiber-glass reinforced
Part No.	0820060361

Technical information

The min. control pressure must be adhered to, since otherwise faulty switching and valve failure may result!

The pressure dew point must be at least 15 °C less than ambient and medium temperature and may not exceed 3 °C.

The oil content of compressed air must remain constant during the life cycle.

Use only the approved oils from AVENTICS. Further information can be found in the "Technical information" document (available in <https://www.emerson.com/en-us/support>).

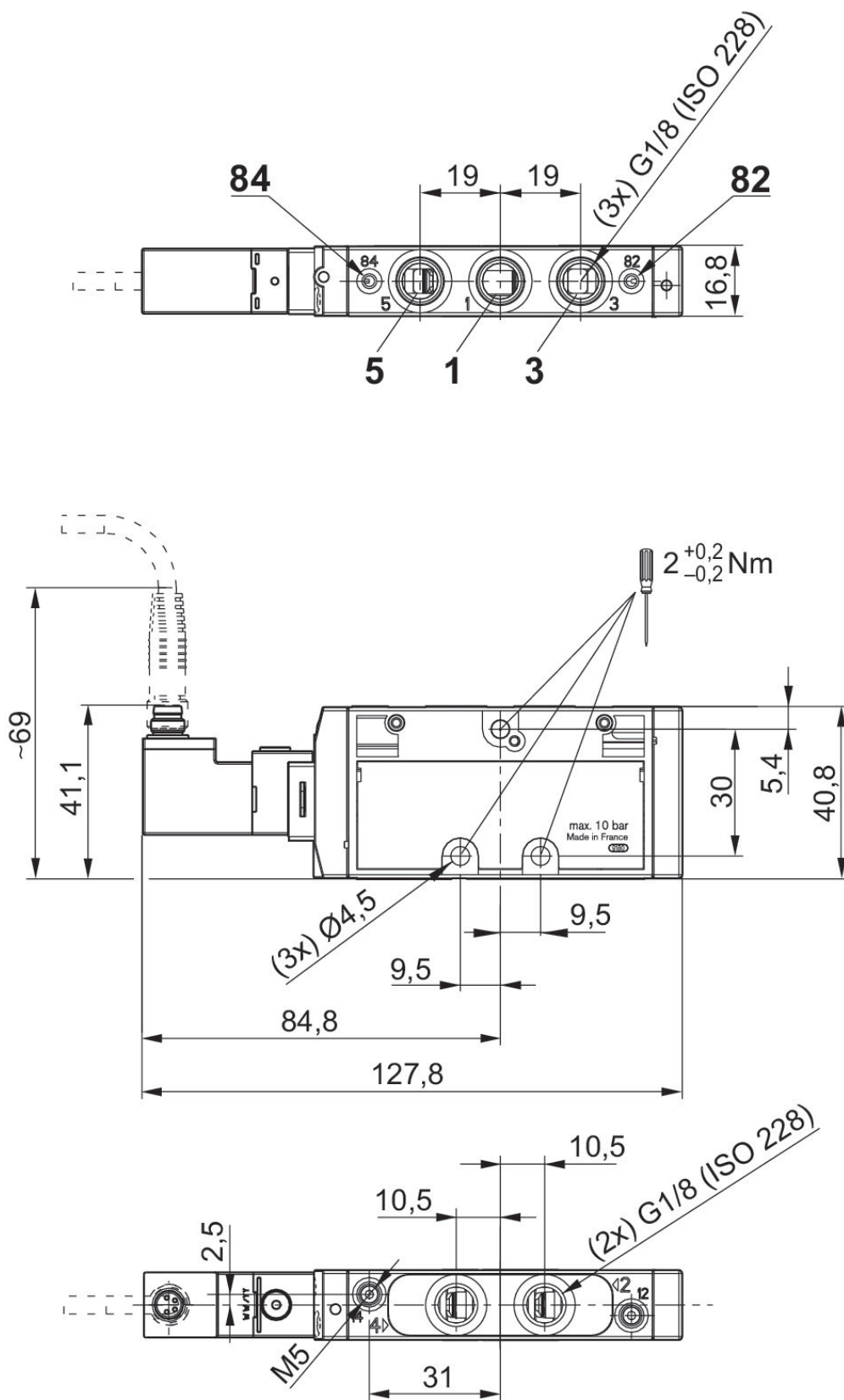
5/2-directional valve, Series TC08, without detent

0820060361

Series
TC08

2024-10-17

Dimensions Double Solenoid



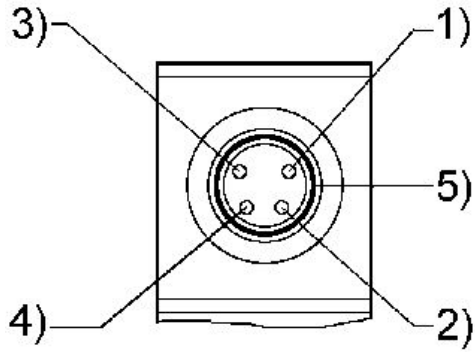
5/2-directional valve, Series TC08, without detent

Series
TC08

0820060361

2024-10-17

PIN assignment and cable colors for
valve plug connectors



PIN assignment: 1) PIN not assigned 2) PIN not assigned 3) 0 V 4) 24 V 5)
LED Cable colors 1) Brown 2) White 3) Blue 4) Black