

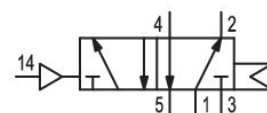
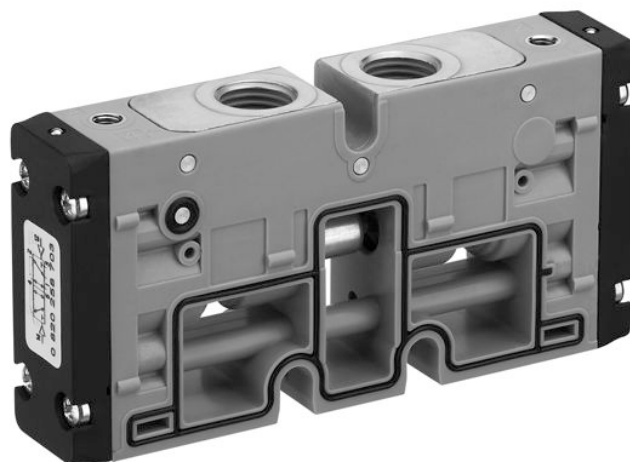
# 5/2-directional valve, Series TC15

2024-05-06

0820258701

## Series TC15

Qn = [[1100] l/min] ... [[1500] l/min]



## Technical data

Industry

Industrial

Activation

Pneumatically

Valve type

Spool valve, positive overlapping

Sealing principle

Soft seal

Connection type

Plate connection

Pipe connection

Compressed air connection input

G 1/4

Compressed air connection output

G 1/4

Compressed air connection, exhaust

G 1/4

Compressed air connection pilot input

M5

Nominal flow Qn

1500 l/min

Flow conductance b

0.33

Flow conductance C

6.8 l/(s\*bar)

Min. working pressure

2.5 bar

Max. working pressure

10 bar

Min. control pressure

2.5 bar

0820258701

---

Max. control pressure	10 bar
Pilot	External
Blocking principle	Plate principle
Min. ambient temperature	-10 °C
Max. ambient temperature	50 °C
Min. medium temperature	-10 °C
Max. medium temperature	50 °C
Medium	Compressed air
Min. oil content of compressed air	0 mg/m <sup>3</sup>
Max. oil content of compressed air	1 mg/m <sup>3</sup>
Max. particle size	5 µm
Rail mounting DIN EN 60715	TH35 x 15
Weight	0.159 kg

## Material

Housing material	Polyamide fiber-glass reinforced
Seal material	Acrylonitrile butadiene rubber
Material, front cover	Polyamide fiber-glass reinforced
Material threaded bushing	Brass Die cast zinc
Surface threaded bushing	chrome-plated nickel-plated
Part No.	0820258701

## Technical information

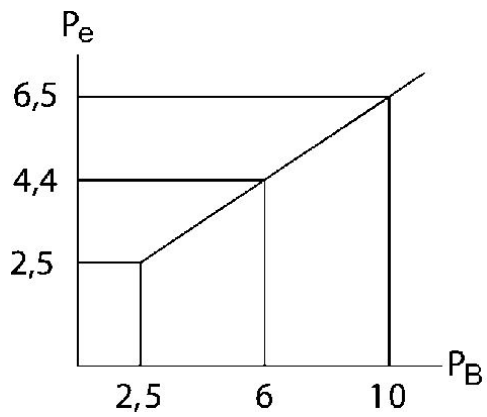
The min. control pressure must be adhered to, since otherwise faulty switching and valve failure may result!

The pressure dew point must be at least 15 °C less than ambient and medium temperature and may not exceed 3 °C.

The oil content of compressed air must remain constant during the life cycle.

Use only the approved oils from AVENTICS. Further information can be found in the "Technical information" document (available in <https://www.emerson.com/en-us/support>).

## Control pressure



$P_e$  = external control pressure, min.  
 $P_B$  = Working pressure