

# Flange mounting, Series MF1, MF2

R432013373

Flange  
mountings

2023-11-14

## AVENTICS Flange mountings



### Technical data

Industry	Industrial
Standardization	NFPA
Piston diameter	38.1 mm
Weight	0.0181 kg

### Material

Housing material	Aluminum
Part No.	R432013373

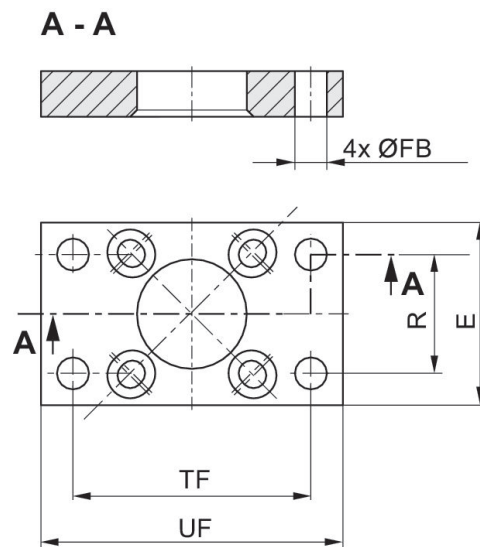
Dimensions in inches

# Flange mounting, Series MF1, MF2

R432013373

Flange  
mountings

2023-11-14



## Dimensions in inches

Part No.	Ø	E	Ø FB	R	TF	UF
R432013373	38.1	2.00	0.34	1.43	2.75	3.38
R432012520	50.8	2.50	0.41	1.84	3.38	4.13
R432013382	63.5	3.00	0.41	2.19	3.88	4.63
R432013388	82.55	3.50	0.47	2.76	4.69	5.50
R432013396	101.6	4.50	0.47	3.32	5.44	6.25