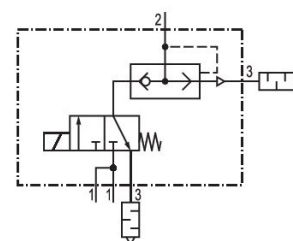


# 3/2-directional valve, Series 490

5724970220

General series information  
Series 490

- The AVENTICS Series 490/579/589 have a robust polymer housing that can be mounted individually or as a block. They cover a large range of voltages and feature fast connections for pneumatic tubing.



## Technical data

Industry  
Industrial

Activation  
Electrically

Switching principle  
3/2

Version  
NC

Compressed air connection output  
Ø 4

Working pressure min.  
4 bar

Working pressure max  
7 bar

Valve type  
Poppet valve

Connection type  
Pipe connection

DC operating voltage  
24 V

Voltage tolerance DC  
-20% / +20%

Electrical connection type  
Plug

Electrical connection size  
ISO 15217, form C

Actuating control  
Single Solenoid

Sealing principle  
Soft Seal

Pilot  
Internal

Return  
With spring return

Min. ambient temperature  
-15 °C

Max. ambient temperature  
50 °C

Min. medium temperature  
-15 °C

Max. medium temperature  
50 °C

Medium  
Compressed air

Max. particle size  
5 µm

Oil content of compressed air min.  
0 mg/m<sup>3</sup>

Oil content of compressed air max.  
1 mg/m<sup>3</sup>

Compressed air connection input  
Ø 8

Nominal flow Qn 1 to 2  
20 l/min

Nominal flow Qn 2 to 3  
100 l/min

Power consumption DC  
2 W

Duty cycle  
100 %

Typ. switch-on time  
16 ms

Protection class with connection  
IP65

Weight  
0.079 kg

Housing material  
Polyoxymethylene

Seal material  
Acrylonitrile butadiene rubber

Part No.  
5724970220

## Technical information

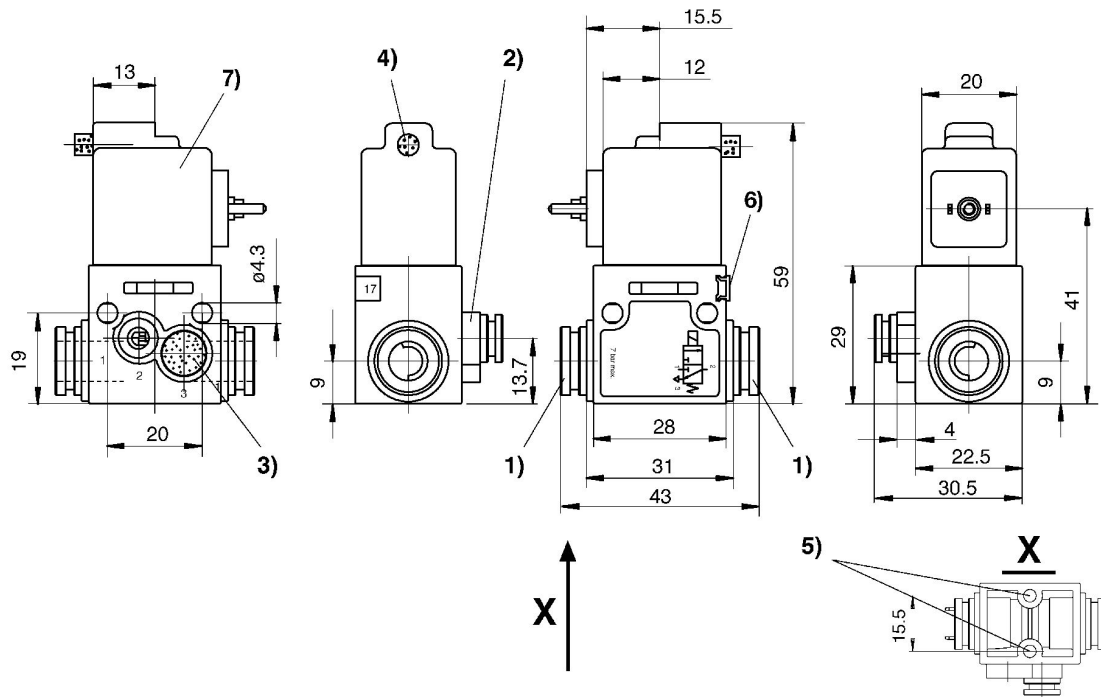
The min. control pressure must be adhered to, since otherwise faulty switching and valve failure may result!

The pressure dew point must be at least 15 °C under ambient and medium temperature and may not exceed 3 °C .

The oil content of compressed air must remain constant during the life cycle.

Use only the approved oils from AVENTICS. Further information can be found in the “Technical information” document (available in <https://www.emerson.com/en-us/support>).

## Dimensions



1) Port 1 2) Port 2 3) Exhaust 4) Exhaust 5) Pocket hole 6 mm deep for 3.5 self-tapping screw 6) Mounting space for name plate 7) Coil can be rotated at 180° intervals