

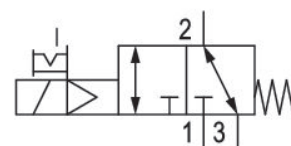
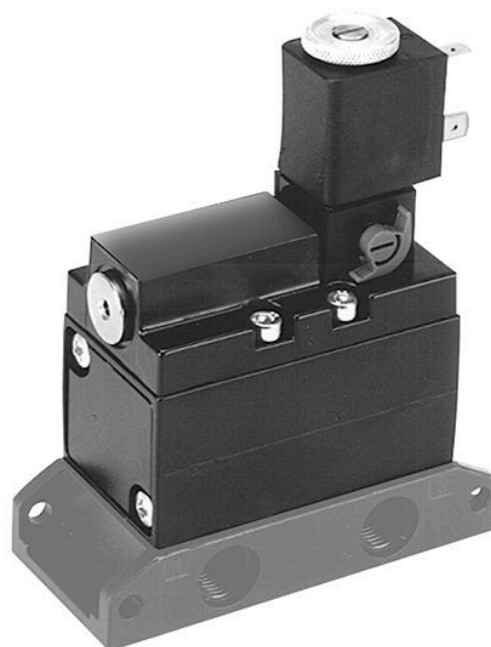
3/2-directional valve, Series 563

5633011340

General series information

Series 563, 565, 567

- The AVENTICS Series 563/565/567 have an aluminium housing, and are suited for assembly on single or manifold subbases and offer flow rate performances of up to 13620 l/min with a working pressure of up to 30 bar.



Technical data

Industry
Industrial

Activation
Electrically

Nominal flow Q_n
1350 l/min

Switching principle
3/2

Version
NO/NC

Working pressure min.
3.5 bar

Working pressure max
10 bar

DC operating voltage
24 V

Voltage tolerance DC
-10% / +10%

Manual override
with detent

Electrical connection type
Plug

Electrical connection size
Form B, industry

Pilot
External
Internal

Valve type
Poppet valve

Connection type
Plate connection

Control pressure min. 3.5 bar	Max. medium temperature 50 °C
Control pressure max. 10 bar	Medium Compressed air
Min. ambient temperature -20 °C	Max. particle size 5 µm
Max. ambient temperature 50 °C	Oil content of compressed air min. 0 mg/m ³
Min. medium temperature -20 °C	Oil content of compressed air max. 5 mg/m ³

Compressed air connection input
G 1/4

Power consumption DC 5 W	Duty cycle 100 %
-----------------------------	---------------------

Protection class with connection IP65	Weight 0.38 kg
--	-------------------

Housing material Aluminum	Part No. 5633011340
------------------------------	------------------------

Seal material
Acrylonitrile butadiene rubber

Technical information

Min./max. operating pressure for external pilot: -[[1] bar]/[[10] bar]

The valves can be energized via the port closed with a plug on the front side of the cover.

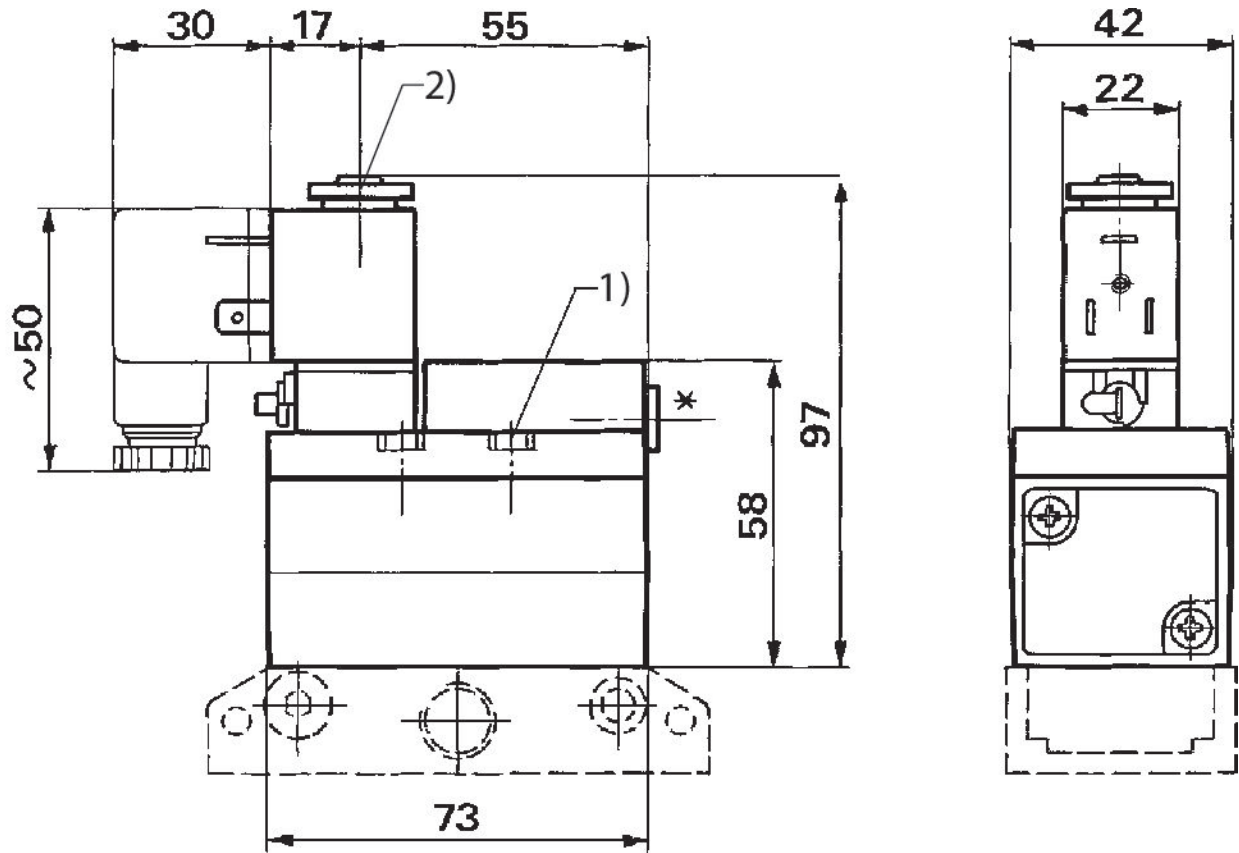
The min. control pressure must be adhered to, since otherwise faulty switching and valve failure may result!

The pressure dew point must be at least 15 °C under ambient and medium temperature and may not exceed 3 °C .

The oil content of compressed air must remain constant during the life cycle.

Use only the approved oils from AVENTICS. Further information can be found in the “Technical information” document (available in <https://www.emerson.com/en-us/support>).

Dimensions



- 1) Tightening torque for mounting screws: 2.7 ± 0.3 Nm
2) Tightening torque for lock nut: 1 ± 0.2 Nm
Base plate not included in the scope of delivery
* Plugged port G 1/8 for external pilot