

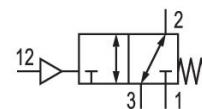
3/2-directional valve, Series 565

2023-11-13

5652010000

Series 563, 565, 567

The AVENTICS Series 563 018/131 are manually operated poppet valves with a flow rate of 300 l/min (Series 563 018) and 1100 l/min (Series 563 131). With their simple and robust design they are always ready for applications and easy to operate even with work gloves.



Technical data

Industry	Industrial
Activation	Pneumatically
Valve type	Poppet valve
Connection type	Plate connection

Compressed air connection input	G 1/2
Compressed air connection output	G 1/2

Nominal flow Qn	4240 l/min
-----------------	------------

Min. working pressure	-1 bar
Max. working pressure	10 bar
Min. control pressure	3.5 bar
Max. control pressure	10 bar
Min. ambient temperature	-20 °C
Max. ambient temperature	70 °C
Min. medium temperature	-20 °C
Max. medium temperature	70 °C
Medium	Compressed air

3/2-directional valve, Series 565

2023-11-13

5652010000

Min. oil content of compressed air	0 mg/m ³
Max. oil content of compressed air	5 mg/m ³
Max. particle size	5 µm
Weight	0.55 kg

Material

Housing material	Aluminum
Seal material	Acrylonitrile butadiene styrene Fluorocarbon caoutchouc
Part No.	5652010000

Technical information

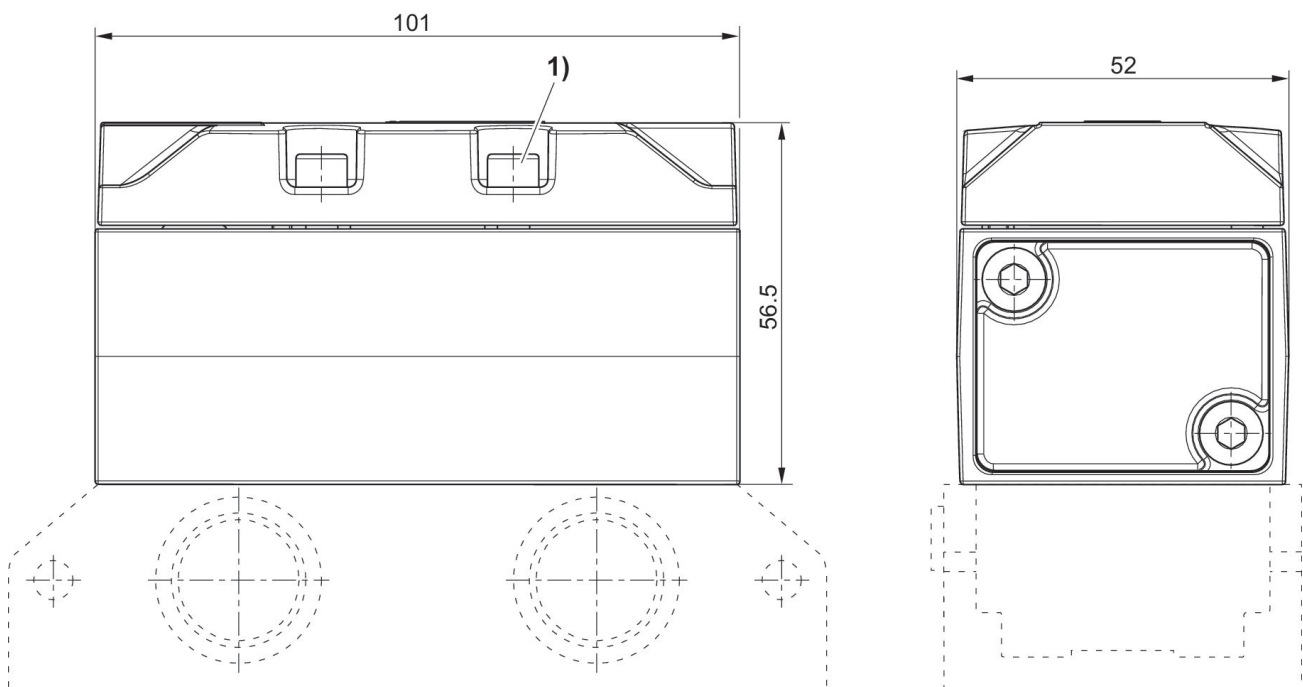
The min. control pressure must be adhered to, since otherwise faulty switching and valve failure may result!

The pressure dew point must be at least 15 °C less than ambient and medium temperature and may not exceed 3 °C.

The oil content of compressed air must remain constant during the life cycle.

Use only the approved oils from AVENTICS. Further information can be found in the "Technical information" document (available in <https://www.emerson.com/en-us/support>).

Dimensions



1) Tightening torque for mounting screws: 5.5 ± 0.5 Nm
Base plate not included in the scope of delivery