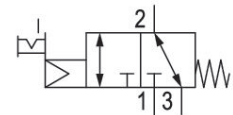


5653010000

AVENTICS Series 563/565/567 Directional valves

The AVENTICS Series 563/565/567 have an aluminium housing, and are suited for assembly on single or manifold subbases and offer flow rate performances of up to 13620 l/min with a working pressure of up to 30 bar.



Technical data

Industry	Industrial
Activation	Electrically
Valve type	Poppet valve
Basic valve equipment	Basic valve without coil
Switching principle	3/2, with spring return
Valve function	NO/NC
Connection type	Plate connection
Manual override	with detent
Compressed air connection input	G 1/2
Nominal flow Qn	4240 l/min
Min. working pressure	3.5 bar
Max. working pressure	10 bar
Min. control pressure	3.5 bar
Max. control pressure	10 bar
Electrical connection type	Plug

3/2-directional valve, Series 565

2023-11-13

5653010000

Electrical connection size EN 175301-803, form A

Duty cycle 100 %

Min. ambient temperature -20 °C

Max. ambient temperature 50 °C

Min. medium temperature -20 °C

Max. medium temperature 50 °C

Medium Compressed air

Min. oil content of compressed air 0 mg/m³

Max. oil content of compressed air 5 mg/m³

Max. particle size 5 µm

Weight 0.75 kg

Material

Housing material Aluminum

Seal material Acrylonitrile butadiene rubber

Part No. 5653010000

Technical information

Min./max. operating pressure for external pilot: -[[1] bar]/[[10] bar]

The valves can be energized via the port closed with a plug on the front side of the cover.

The size of the compressed air connection output for series 563, 565, 567 can vary due to optional use of the base plate. The base plate can be found under "Mechanical accessories".

The min. control pressure must be adhered to, since otherwise faulty switching and valve failure may result!

The pressure dew point must be at least 15 °C less than ambient and medium temperature and may not exceed 3 °C.

The oil content of compressed air must remain constant during the life cycle.

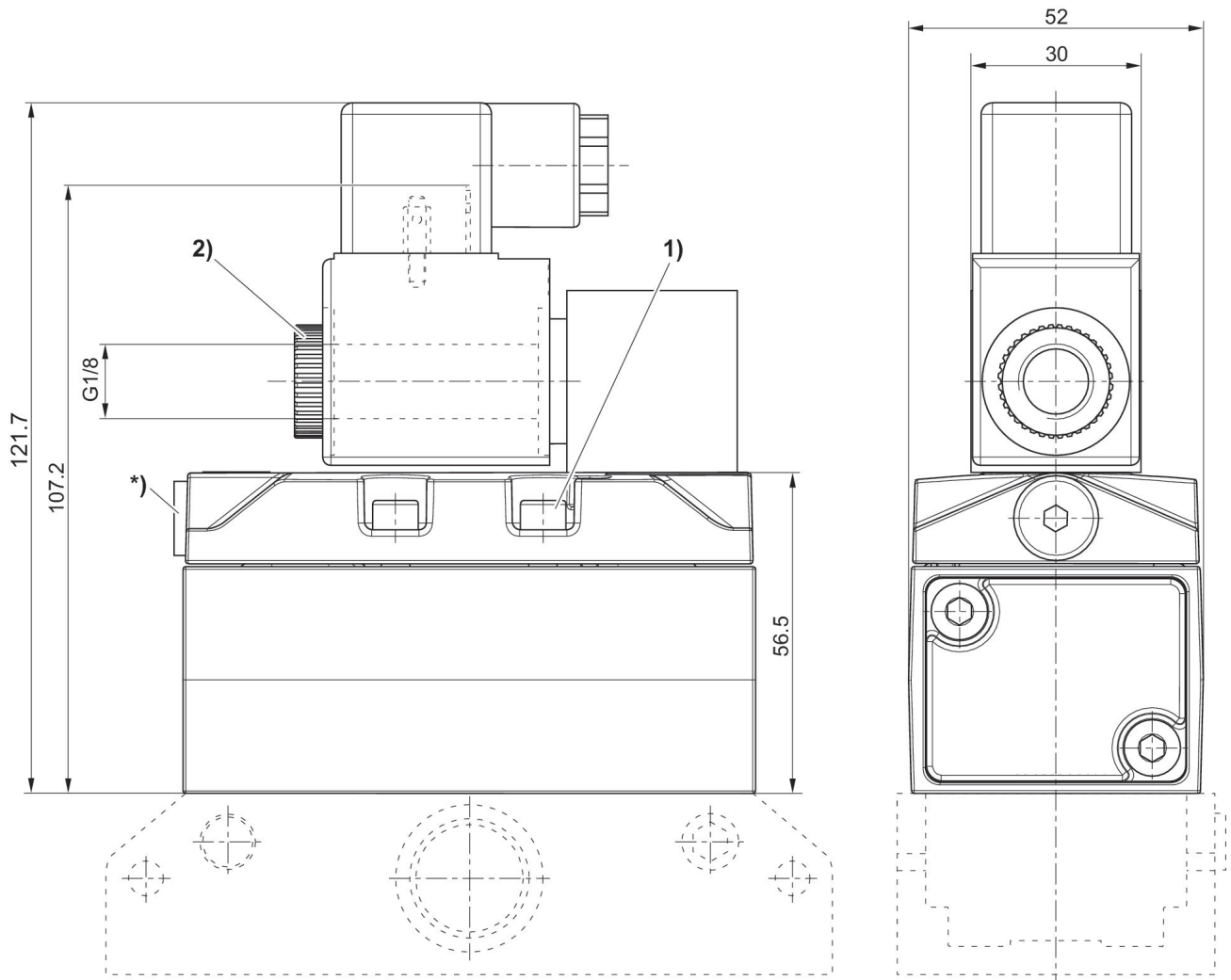
Use only the approved oils from AVENTICS. Further information can be found in the "Technical information" document (available in <https://www.emerson.com/en-us/support>).

3/2-directional valve, Series 565

2023-11-13

5653010000

Dimensions



1) Tightening torque for mounting screws: 2.2 ± 0.2 Nm

2) Tightening torque for lock nut: 1 ± 0.2 Nm

* Plugged port G 1/8 for external pilot

Base plate not included in the scope of delivery