

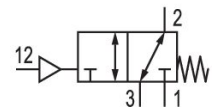
3/2-directional valve, Series 567

2023-11-13

5672510000

Series 563, 565, 567

The AVENTICS Series 563 018/131 are manually operated poppet valves with a flow rate of 300 l/min (Series 563 018) and 1100 l/min (Series 563 131). With their simple and robust design they are always ready for applications and easy to operate even with work gloves.



Technical data

| | |
|----------------------------------|------------------|
| Industry | Industrial |
| Activation | Pneumatically |
| Valve type | Poppet valve |
| Connection type | Plate connection |
| Compressed air connection input | G 1 |
| Compressed air connection output | G 1 |
| Nominal flow Qn | 13620 l/min |
| Min. working pressure | -1 bar |
| Max. working pressure | 10 bar |
| Min. control pressure | 3.5 bar |
| Max. control pressure | 10 bar |
| Min. ambient temperature | -20 °C |
| Max. ambient temperature | 120 °C |
| Min. medium temperature | -20 °C |
| Max. medium temperature | 120 °C |
| Medium | Compressed air |

3/2-directional valve, Series 567

2023-11-13

5672510000

| | |
|------------------------------------|---------------------|
| Min. oil content of compressed air | 0 mg/m ³ |
| Max. oil content of compressed air | 5 mg/m ³ |
| Max. particle size | 5 μm |
| Weight | 1.8 kg |

Material

| | |
|------------------|--|
| Housing material | Aluminum |
| Seal material | Acrylonitrile butadiene styrene Fluorocarbon caoutchouc |
| Part No. | 5672510000 |

Technical information

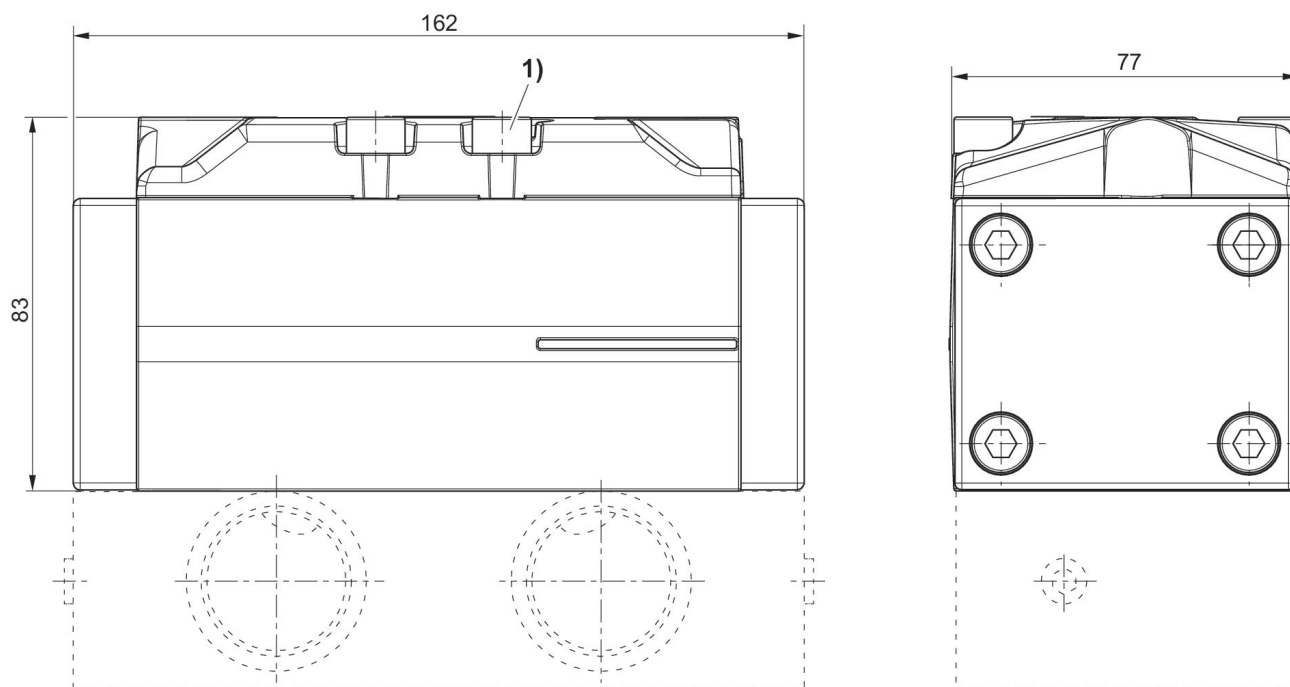
The min. control pressure must be adhered to, since otherwise faulty switching and valve failure may result!

The pressure dew point must be at least 15 °C less than ambient and medium temperature and may not exceed 3 °C.

The oil content of compressed air must remain constant during the life cycle.

Use only the approved oils from AVENTICS. Further information can be found in the “Technical information” document (available in <https://www.emerson.com/en-us/support>).

Dimensions



1) Tightening torque for mounting screws: 22 ± 2 Nm
Base plate not included in the scope of delivery