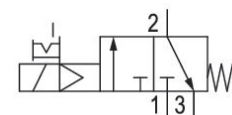


AVENTICS Series 490/579/589 Directional Control Valves

The AVENTICS Series 490/579/589 have a robust polymer housing that can be mounted individually or as a block. They cover a large range of voltages and feature fast connections for pneumatic tubing.



Technical data

Industry

Industrial

Activation

Electrically

Valve type

Poppet valve

Switching principle

3/2, with spring return

Valve function

NC

Sealing principle

Soft seal

Connection type

Pipe connection

Manual override

with detent

Min. working pressure

2 bar

Max. working pressure

8 bar

Protection class with connection

IP65

Reverse polarity protection

Protected against polarity reversal

Operational voltage

230 V AC

Operational voltage AC at 50 Hz

230 V

Operational voltage AC at 60 Hz

230 V

3/2-directional valve, Series 579

2023-11-02

5794405380

Voltage tolerance AC 60 Hz -10% / +15%

Pilot Internal
Coil width 20 mm
Holding power AC 50 Hz 2.3 VA
Holding power AC 60 Hz 2 VA
Switch-on power AC 50 Hz 3.2 VA
Switch-on power AC 60 Hz 2.8 VA

Duty cycle 100 %
Typ. switch-on time 18 ms
Typ. switch-off time 16 ms

Blocking principle Single valve
Min. ambient temperature -15 °C
Max. ambient temperature 50 °C
Min. medium temperature -15 °C
Max. medium temperature 50 °C
Medium Compressed air
Min. oil content of compressed air 0 mg/m³
Max. oil content of compressed air 1 mg/m³
Max. particle size 5 µm

Weight 0.093 kg

Material

Housing material Polyamide
Seal material Acrylonitrile butadiene rubber
Polyurethane
Part No. 5794405380

Technical information

At an ambient temperature of [[40] °C] the max. working pressure is [[10] bar].

Versions with voltage of less than 50 V DC do not have a protective ground.

The min. control pressure must be adhered to, since otherwise faulty switching and valve failure may result!

The pressure dew point must be at least 15 °C less than ambient and medium temperature and may not exceed 3 °C.

The oil content of compressed air must remain constant during the life cycle.

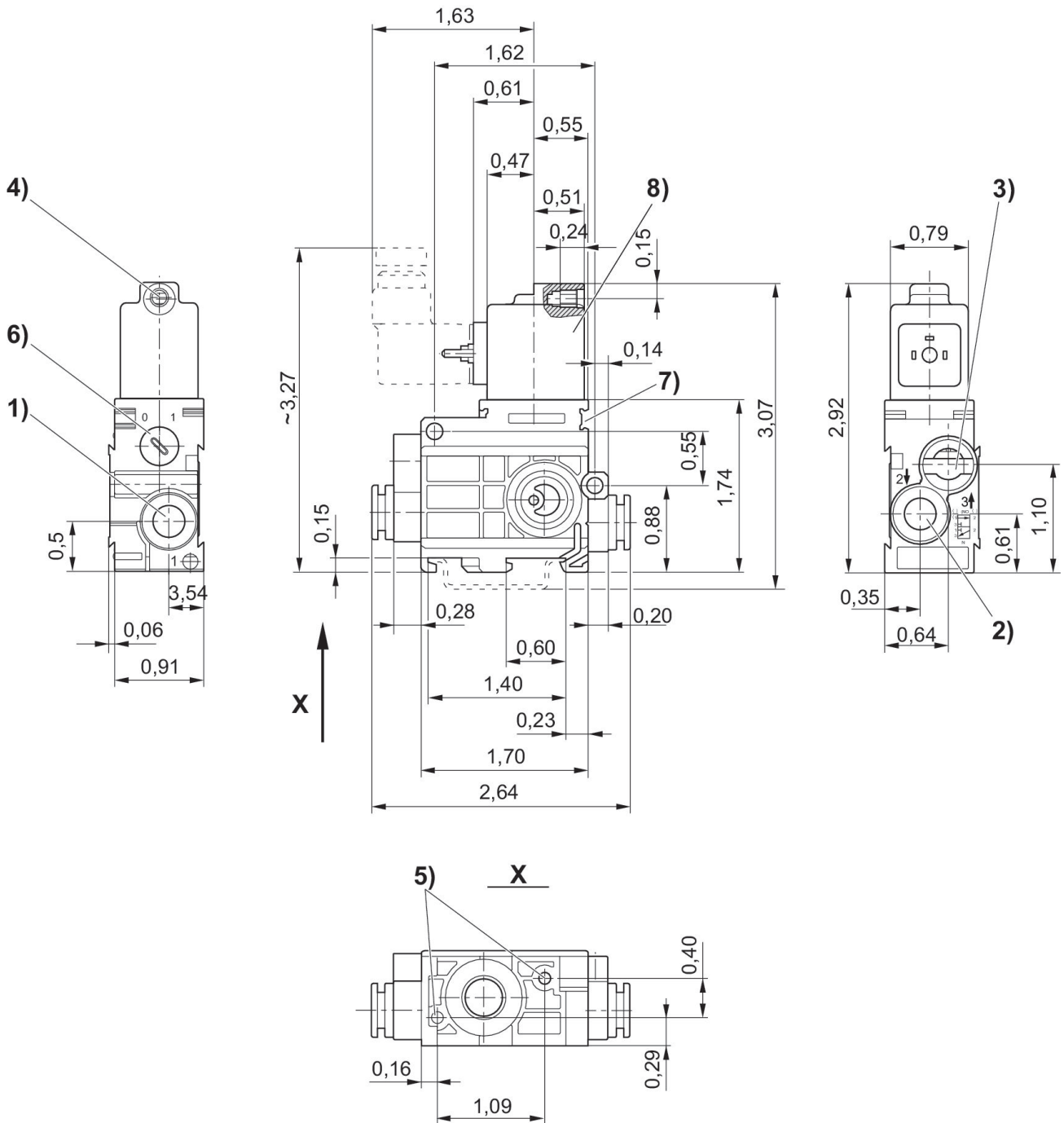
Use only the approved oils from AVENTICS. Further information can be found in the “Technical information” document (available in <https://www.emerson.com/en-us/support>).

3/2-directional valve, Series 579

2023-11-02

5794405380

Dimensions in inches



1) Port 1 2) Port 2 3) Port 3, core Ø for M5 4) Manual override 5) Pocket hole 6 mm deep for 3.5 self-tapping screw 6) Mounting space for name plate 7) Coil can be rotated at 180° intervals 8) Pilot valve